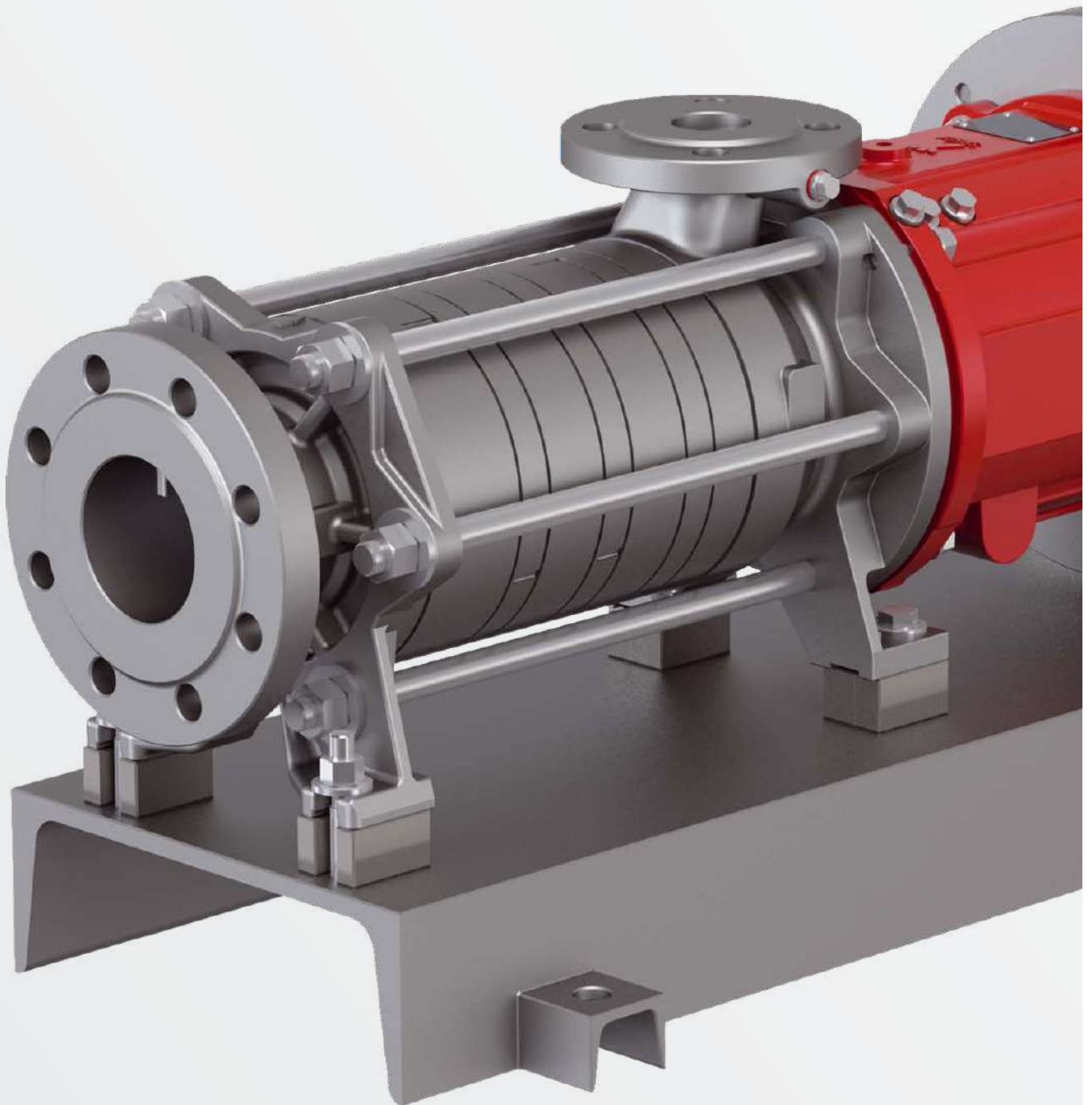


Side channel pumps

SK and ASK series
with mechanical seal or magnetic coupling
PN 40



Applications



Heating & Cooling technology

- » Delivering cooling brine
- » Filling and emptying thermal oil systems



Energy technology

- » Delivery and circulation in closed circuits
- » Feeding boilers in boiler systems and steam generators
- » Tank systems, including delivering liquid gas
- » Delivery of diesel in backup generators in power stations



Chemical & Pharmaceutical industry

- » Delivering aggressive, highly flammable and toxic media
- » Recovery of condensates, e.g. solvents

Further applications

- » Delivery of salt water and fresh water in ships

Contact an representations

Speck Pumpen Walter Speck GmbH & Co. KG

Speck Pumpen Systemtechnik GmbH

Regensburger Ring 6 - 8

91154 Roth / Germany

T: +49 9171 809 0

F: +49 9171 809 10

info@speck.de

www.speck.de

International representations

See page 28

Side channel pumps made by Speck

High operational safety, optimal design and service-friendly

Fields of application

- » Designed for feeding, filling and emptying operations under difficult physical conditions
- » Suitable for the delivery of gas / self-priming
- » Suitable for liquids without abrasive contaminants and without solid particles
- » Wide temperature range from - 100 °C up to + 350 °C

Modular system

- » Horizontal multistage modular pumps
- » Available in a wide range of materials with components from stainless steel, bronze and spheroidal graphite cast iron
- » Minimum stock of spare parts required
- » Designs with mechanical seal, packing gland and magnetic coupling
- » Medium-specific designs
- » ATEX certified (II 2G)

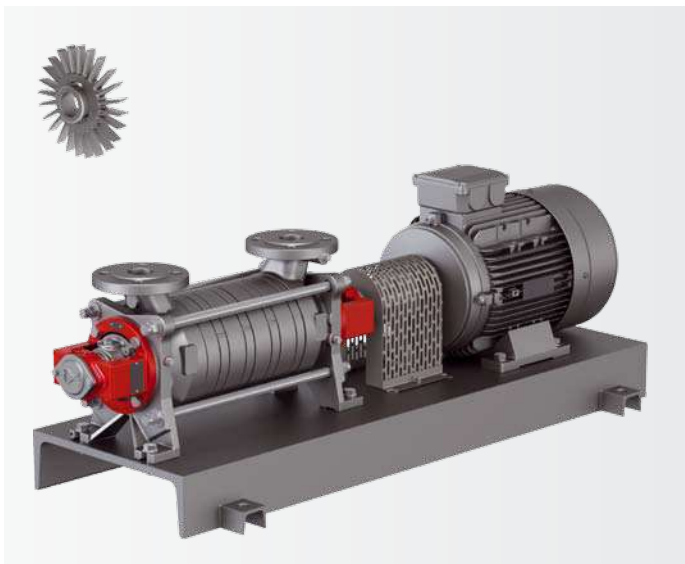
Operating limits

With mechanical seal	from	0 bis + 140 °C uncooled 0 bis + 180 °C cooled
With magnetic coupling	from	- 100 bis + 350 °C
Nominal pressure	PN 40	
H _{max}	400 m	
Q _{max}	35 m³/h (50 Hz) 42 m³/h (60 Hz)	

Temperature ranges depend on materials, seals and pumped media

SK series

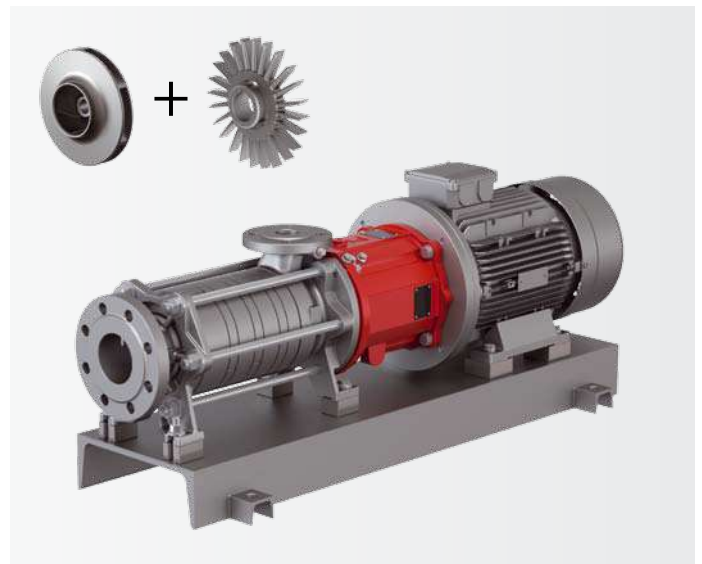
Side channel pumps in acc. with EN 734



Proven side channel pumps for universal applications

ASK series

Side channel pumps with NPSH stage



Combi-pumps for delivering liquids in physically difficult conditions on the suction side

Their very good NPSH values make them particularly suitable for pumped media near the boiling-point

The right pump for your system

Choose from eight series

Each system is unique in its own way - on some, the sealing principle is key, on others the installation frame or perhaps the special properties of the medium. You can choose from eight series and find the best solution for your system.

▼ Sealing

Version with mechanical sealing (G) ▶

- » Packing gland on request
- » Media from 0 up to + 180 °C
- » Wide range of seals
- » ATEX II 2G



▼ Design

Version with 2 rolling bearings ▶

- » 2 external lifetime lubricated rolling bearings
- » 2 mechanical sealings or respectively packing glands
- » Motor coupled
- » Base plate
- » 1 – 8 stages

Version with 1 sleeve bearing und 1 rolling bearing ▶

- » 1 media-lubricated sleeve bearing (carbon or SiC)
- » 1 external lifetime lubricated rolling bearing
- » 1 mechanical sealing or respectively packing gland
- » Motor coupled
- » Base plate
- » 1 – 8 stages

Version with 1 sleeve bearing, 1 rolling bearing, bracket ▶

- » 1 media-lubricated sleeve bearing (carbon or SiC)
- » 1 external lifetime lubricated rolling bearing
- » 1 mechanical seal or respectively packing gland
- » Motor close-coupled with bracket
- » Bracket with feet
- » 1 – 3 stages

Version with bracket ▶

- » 2 media-lubricated sleeve bearings (carbon or SiC)
- » Bracket for magnetic coupling
- » Motor close-coupled with bracket
- » Base plate
- » 1 – 8 stages

Version with bracket und bearing bracket ▶

- » 2 media-lubricated sleeve bearings (carbon or SiC)
- » Bracket for magnetic coupling
- » Bearing bracket with optional secondary seal
- » Motor coupled
- » Base plate
- » 1 – 8 stages

Version with magnetic coupling (M) ▶

- » Media from - 100 up to + 350 °C depending on the materials used (→ Type code page 8)
- » Wide range of magnetic coupling sizes
- » Hastelloy® or ceramic separating cans, PN 40
- » ATEX II 2G



▼ SK series

▼ Main dimensions in acc. with EN 734

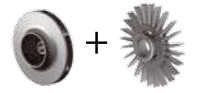
» Proven side channel pumps for universal applications



▼ ASK series

▼ Combi-pumps with NPSH suction stage

» Combi-pumps for delivering liquids in physically difficult conditions on the suction side
 » Their very good NPSH values make them particularly suitable for pumped media near the boiling-point



SKG-LL



SKG-LO



SKG-LA



SKM



SKM-LT



ASKG



ASKM



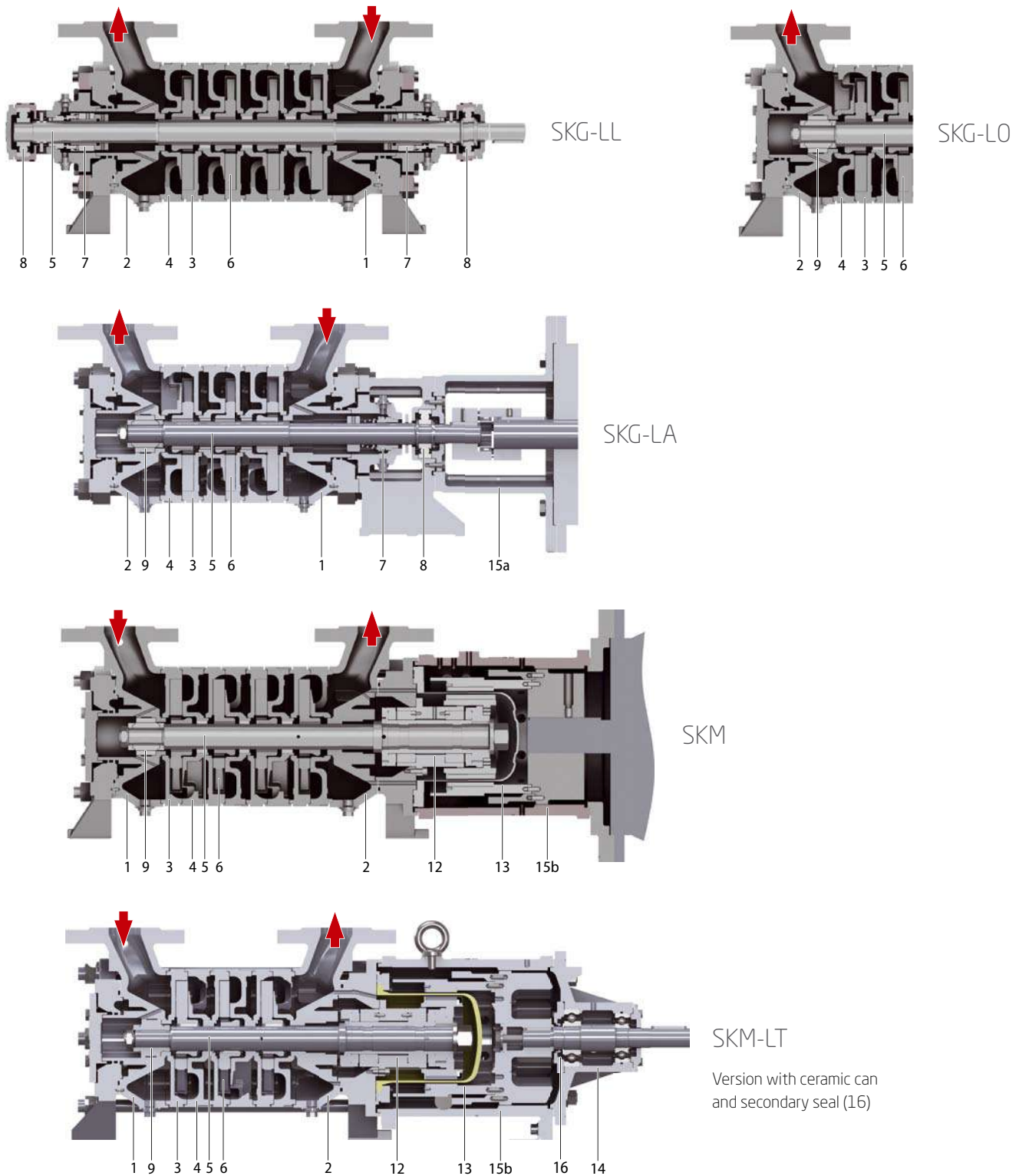
ASKM-LT



Modular system

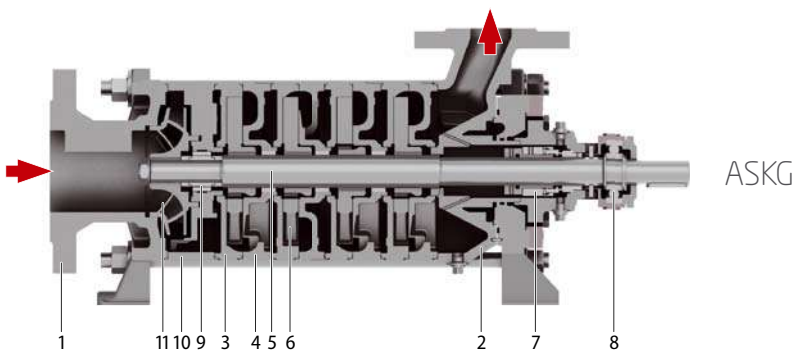
With Speck you get a modular system with many identical parts.

SK series



SKG-LL	SKG-LO	SKG-LA	SKM	SKM-LT	ASKG	ASKM	ASKM-LT	No.	Designation / notes
x	x	x	x	x	x	x	x	1	Suction casing
x	x	x	x	x	x	x	x	2	Discharge casing
x	x	x	x	x	x	x	x	3	Suction stage
x	x	x	x	x	x	x	x	4	Discharge stage
x	x	x	x	x	x	x	x	5	Shaft
x	x	x	x	x	x	x	x	6	Star impeller
x	x	x			x			7	Mechanical seal (or stuffing box packing, not illustrated)
x	x	x			x			8	Rolling bearing
	x	x	x	x	x	x	x	9	Sleeve bearing made of SiC (or carbon bearing, not illustrated)
					x	x	x	10	Stage N
					x	x	x	11	Radial impeller
			x	x		x	x	12	Bearing cartridge made of SiC
			x	x		x	x	13	Magnetic coupling, can made of Hastelloy® or ceramics
				x			x	14	Bearing bracket
		x	x	x		x	x	15a / 15b	Bracket
				x			x	16	Secondary seal (radial shaft sealing) for magnetic couplings with ceramic can

ASK series



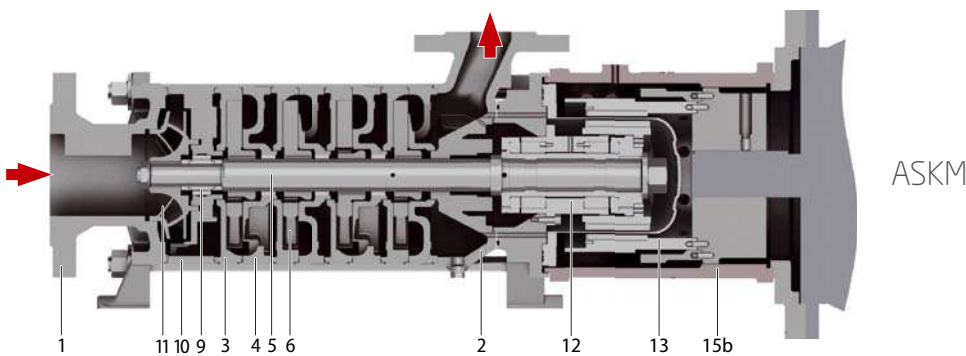
ASKG

Also for critical media and applications

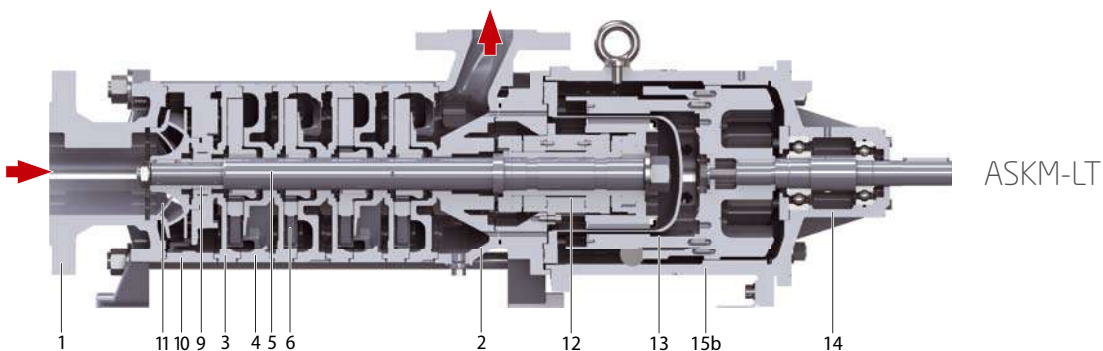
- » Medium-specific designs suitable for the delivery of acids, lyes, fuel, glycol, glycerine, hot water, oil, etc.
- » Casing seals with O-rings, graphite, FKM, FFKM or EPDM
- » Stage sealings made of graphite, Teflon® or various liquid seals by Epple®.
- » ATEX certified (II ZG)

Robust and durable

- » Robust lifetime lubricated rolling bearings
- » Solid, hydrodynamically lubricated sleeve bearings made from carbon, a proven slide material – extremely hard wearing and highly resistant to corrosive media.
- » SiC sleeve bearings alternatively



ASKM



ASKM-LT

Versions

Type code with versions and material designs

	ASK	G	32	04		-012			-11	000
	SK	G	32	04	LL	-113			-40	000
	SK	G	32	04	LO	-013			-30	000
	ASK	S	32	04		-000			-11	000
	SK	S	32	04	LA	-000			-11	000
	ASK	M	32	04		-	62	4	-60	000
	SK	M	32	04		-	75	2	-20	000
	ASK	M	32	04	LT	-	62	4	-60	000
	SK	M	32	04	LT	-	75	6	-20	000
Series										
Sealing (table 1)										
Size										
Number of stages										
Shaft bearing (Table 2)										
Shaft sealing (Table 3)										
Magnetic coupling – Size (Table 4)										
Magnetic coupling – PN (Table 5)										
Material designs and temperature range (table 6)										
Counting number										

Table 1: Sealing

Code	M	G	S
	Magnetic coupling	Mechanical seal	Stuffing box packing (on request)

Table 2: Versions

Code	ASKG / ASKS	SKG / SKS			ASKM / SKM	
	-	LL	LO	LA	-	LT
Stage number	1 - 8	1 - 8	1 - 8	1 - 3	1 - 8	1 - 8
Bearing suction-side	Sleeve bearing	Rolling bearing	Rolling bearing	Rolling bearing	Sleeve bearing	Sleeve bearing
Bearing pressure-side	Rolling bearing	Rolling bearing	Sleeve bearing	Sleeve bearing	Sleeve bearing	Sleeve bearing
Mech. seal / Stuffing box p. suction-side	-	x / x	x / x	x / x	-	-
Mech. seal / Stuffing box p. pressure-side	x / x	x / x	-	-	-	-
Design	Base plate version	Base plate version	Base plate version	Bracket version	Base plate version	Bearing bracket, base plate

Table 3: Shaft sealing

SKG-LL 2 mechanical seals and 2 external rolling bearings					ASKG, SKG-LO, SKG-LA 1 mechanical seal, 1 sleeve bearing and 1 external rolling bearing							
Properties	O-ring	Single-acting mechanical seal			Properties	O-ring	Single-acting mechanical seal			Double-acting mechanical seal		
	Elasto-mer	SiC / A carbon	SiC / B carbon	SiC / SiC		Elasto-mer	SiC / A carbon	SiC / B carbon	SiC / SiC	SiC / A carbon	SiC / B carbon	SiC / SiC
Suction-side: unbalanced	FFKM	110	220	330	Unbalanced uncooled, up to 140 °C	FFKM	010	020	030	110	220	330
Pressure-side: unbalanced	EPDM	112	222	332		EPDM	012	022	032	112	222	332
uncooled, up to 140 °C	FKM	113	223	333		FKM	013	023	033	113	233	333
Suction-side: unbalanced	FFKM	140	250	360	Balanced uncooled, up to 140 °C	FFKM	040	050	060	440	550	660
Pressure-side: balanced	EPDM	142	252	362		EPDM	042	052	062	442	552	662
uncooled, up to 140 °C	FKM	143	253	363		FKM	043	053	063	443	553	663
Suction-side: balanced	FFKM	440	550	660	Balanced cooled, up to 180 °C	FFKM	070	080	090	770	880	990
Pressure-side: balanced	EPDM	442	552	662		EPDM	072	082	092	772	882	992
uncooled, up to 140 °C	FKM	443	553	663		FKM	073	083	093	773	883	993
Suction-side: balanced	FFKM	770	880	990	000: Stuffing box packing (SKS / ASKS) XXX: Special version, details in order-related documents							
Pressure-side: balanced	EPDM	772	882	992								
cooled, up to 180 °C	FKM	773	883	993								

Table 4: Size of magnetic coupling

Code no.	51	52	61	62	63	71	72	73	74	75
Size	60-40	60-60	75-40	75-50	75-60	110-40	110-50	110-60	110-70	110-80
p _{max.} bar	40	40	40	40	40	25/40	25/40	25/40	25/40	25/40

Code no.	81	82	83	84	85	91	92	93	94	95
Size	135-50	135-60	135-70	135-80	135-90	165-80	165-90	165-100	165-110	165-120
p _{max.} bar	40	40	40	40	40	25/40	25/40	25/40	25/40	25/40

Table 5: Magnetic coupling - Material design of separating can

Code no.	2	4	6
Max. admissible pressure	PN 25, max. 25 bar,	PN 40, max. 40 bar,	PN 40, max. 40 bar,
Material design of separating can	Hastelloy®	Hastelloy®	Ceramics

Table 6: Material designs and temperature ranges

Special materials on request

SK

Sealing			Code no.	11	20	30	31	40	60	61
G	S	M	Parts							
x	x	x	Suction casing	EN-GJS-400-15	EN-GJS-400-15	EN-GJS-400-15	-	GBz	1.4581	1.4531
x	x	x	Discharge casing	EN-GJS-400-15	EN-GJS-400-15	EN-GJS-400-15	-	GBz	1.4581	1.4581
x	x	x	Stage	EN-GJS-400-15	EN-GJS-400-15	EN-GJS-400-15	-	GBz	1.4581	1.4581
x	x		Shaft seal casing	EN-GJS-400-15	EN-GJS-400-15	EN-GJS-400-15	-	GBz	1.4581	1.4581
x	x	x	Star impeller	GBz	1.4408	1.4408	-	GBz	1.4408, hardened	1.4408, hardened
x	x	x	Shaft	1.4122	1.4122	1.4122	-	1.4571	1.4571	1.4571
x	x	x	Pump frame ¹	EN-GJS-400-15	EN-GJS-400-15	EN-GJS-400-15	-	EN-GJS-400-15	EN-GJS-400-15	EN-GJS-400-15
		x	Pump frame ²	EN-GJS-400-15	EN-GJS-400-15	EN-GJS-400-15	-	1.4581	1.4581	1.4581
x	x		Temperature limits	0 up to +180 °C	0 up to +180 °C	0 up to +180 °C	-	0 up to +180 °C	0 up to +180 °C	0 up to +180 °C
		x	Temperature limits	-20 up to +200 °C	-40 up to +350 °C	-40 up to +200 °C	-	0 up to +180 °C	-100 up to +250 °C	-40 up to +350 °C

¹ no contact with the medium

² in contact with the medium

ASK

Sealing			Code no.	11	20	30	31	40	60	61
G	S	M	Parts							
x	x	x	Suction casing	EN-GJS-400-15	EN-GJS-400-15	EN-GJS-400-15	EN-GJS-400-15	1.4581	1.4581	1.4581
x	x	x	Discharge casing	EN-GJS-400-15	EN-GJS-400-15	EN-GJS-400-15	EN-GJS-400-15	GBz	1.4581	1.4581
x	x	x	Stage	EN-GJS-400-15	EN-GJS-400-15	EN-GJS-400-15	EN-GJS-400-15	GBz	1.4581	1.4581
x	x	x	Stage / NPSH	EN-GJS-400-15	EN-GJS-400-15	EN-GJS-400-15	EN-GJS-400-15	1.4581	1.4581	1.4581
x	x		Shaft seal casing	EN-GJS-400-15	EN-GJS-400-15	EN-GJS-400-15	EN-GJS-400-15	GBz	1.4581	1.4581
x	x	x	Star impeller	GBz	1.4408	1.4408	1.4408	GBz	1.4408, hardened	1.4408, hardened
x	x		Impeller / NPSH	EN-GJL-250	EN-GJL-250	EN-GJL-250	1.4408	1.4408	1.4408	1.4408
x	x	x	Shaft	1.4122	1.4122	1.4122	1.4122	1.4571	1.4571	1.4571
x	x		Pump frame ¹	EN-GJS-400-15	EN-GJS-400-15	EN-GJS-400-15	EN-GJS-400-15	EN-GJS-400-15	EN-GJS-400-15	EN-GJS-400-15
		x	Pump frame ²	EN-GJS-400-15	EN-GJS-400-15	EN-GJS-400-15	EN-GJS-400-15	1.4581	1.4581	1.4581
x	x		Temperature limits	0 up to +180 °C	0 up to +180 °C	0 up to +180 °C	0 up to +180 °C	0 up to +180 °C	0 up to +180 °C	0 up to +180 °C
		x	Temperature limits	-20 up to +200 °C	-40 up to +350 °C	-40 up to +200 °C	-40 up to +200 °C	0 up to +180 °C	-100 up to +250 °C	-40 up to +350 °C

¹ no contact with the medium

² in contact with the medium


The operating limit values result from the max. permissible pressure and the max. permissible temperature as well as the pumped medium with its specific vapour pressure. See "Dimensioning" Page 11.

Quality assurance and tests

Modern, computer-controlled and fully automated test stands on the premises of Speck



Test stand for liquid pumps on the premises of Speck in Roth
Measuring of hydraulics, power requirements, axial thrust, vibrations and NPSH values. Heads of up to 400 m and flow rates of up to 750 m³/h.



Thermal oil test stand with pump surveillance system on the premises of Speck in Roth.
Research of impacts of high temperatures up to 350 °C on the lifetime of the pumps.

Order-related tests and dimensioning

Pressure tests

Speck carries out the tests below as standard:

Gas pressure test

The gas pressure test is used to prove that the components are leak-proof. All components that bear pressure are tested, such as the discharge casing and the suction casing, stages and mechanical seal casing. The test is carried out with forming gas at 2 bar. The holding time is 15 minutes.

Hydrostatic pressure test

The hydrostatic pressure test is used to prove strength of the components and that the pump is leak-proof. The fully assembled pump is tested. The test is carried out with a hydrostatic test pressure based on prEN 12162.

If you want to use pressure tests according to different criteria, please enter them in the request.

Testing the performance

At the customer's request, Speck offers the following tests:

Hydraulic tests

The measurement of the characteristic curves apply to the delivery of water with a temperature of 20 °C at nominal speed. Tolerances: flow rate ± 10 %, total head ± 10 % power requirement + 10 %.

Deviating properties of the media to be pumped affect the characteristic curves.

NPSH test

In this test, the suction-side pressure is gradually reduced until the decrease in the delivered head reaches 3 % at a constant flow rate. At least four flows are evaluated that are spread appropriately over the admissible operating range. The NPSH value is not a guarantee point.

Vibration test

Vibration test according to EN ISO 5199, Edition 2002

The vibration values are measured radially and vertically at every operating point on the bearing casing at the nominal speed and with the corresponding flow rate.

Temperature measurement

The measurement is taken on the motor-side bearing at operating temperature. The operating temperature and the ambient temperature at every operating point measured are documented.

Standard conditions at site

- » Ambient temperature from - 20 °C to + 40 °C
- » Permissible altitude up to 1000 m above sea level

Deviations from the site conditions specified herein must already be disclosed in the inquiry.

Dimensioning

Assessment of the maximum pump outlet pressure

- The pump outlet pressure at the pump nozzle depends on
 - » the pump inlet pressure
 - » the density of the medium to be pumped

The maximum pump outlet pressure $p_{2max\ op}$ is calculated using the formula:

$$p_{2max\ op} = p_{1max\ op} + \rho \cdot g \cdot H \cdot 10^{-5}$$

With:

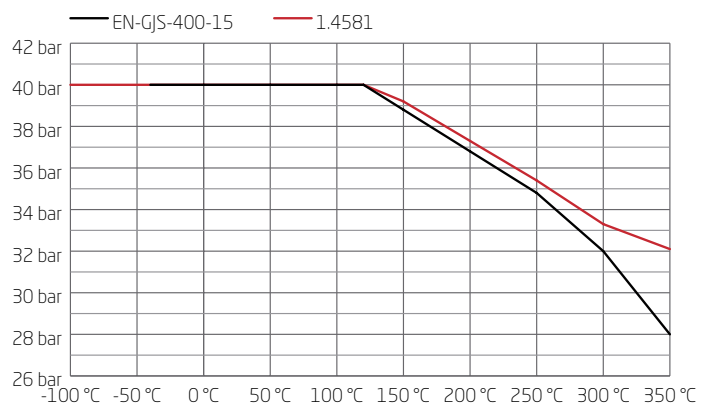
- $p_{2max\ op}$ = maximum pump outlet pressure [bar]
- $p_{1max\ op}$ = maximum pump inlet pressure [bar]
- ρ = density of the medium to be pumped [kg/m³]
- g = gravitation constant [m/s²]
- H = maximum total head at zero flow or at the peak of the pump's characteristic curve [m]

Pumps must be selected and operated in a way which ensures that the maximum pump outlet pressure does by no means exceed the maximum permissible operating pressure of the casing $p_{all\ w\ c}$ at operating pressure.

This also applies to commissioning while the discharge valve is closed (refer to diagram).

Pressure and temperature limitations

The maximum casing operating pressure $p_{all\ w\ c}$ of the pressure retaining parts depends on the operating temperature:



Maximum permissible casing operating pressure $p_{all\ w\ c}$

EN-GJS-400-15: spheroidal graphite cast iron

1.4581: stainless steel

Magnetic couplings

Optimal design

The wide range of magnetic couplings offers an optimum configuration for your operating conditions and cuts energy consumption.

Wide range

Magnetic couplings consist of an inner rotor, a separating can and an outer rotor. The separating can seals the pumped media from the atmosphere. A great variety of sizes and configuration using the latest software guarantee the best design for your operating point. The transmissible torques of the magnetic couplings range between 10 and 500 Nm.

Type code for magnetic couplings

Type code (example)	135-	70
Nominal diameter DN		
Magnet length [mm]		

Magnetic coupling sizes and versions

Magnet length in mm		Magnet diameter				
		DN 60	DN 75	DN 110	DN 135	DN 165
40		x	x	x		
50			x	x	x	
60		x	x	x	x	
70				x	x	
80				x	x	x
90					x	x
100						x
110						x
120						x
Separating can made of Hastelloy®		PN 40	PN 40	PN 40	PN 40	PN 40
Separating can made of ceramic ZrO ₂ MgO		not available		PN 40 on request		

Cooling through flushing bores

Eddy current, viscosity and bearing friction losses generate heat inside the pump, adding to the temperature of the medium. Flushing bores in the inner rotor and the casing ensure that critical points are cooled with the medium. At the same time, gases or air are conducted out of the inner rotor.

Robust Hastelloy® separating cans

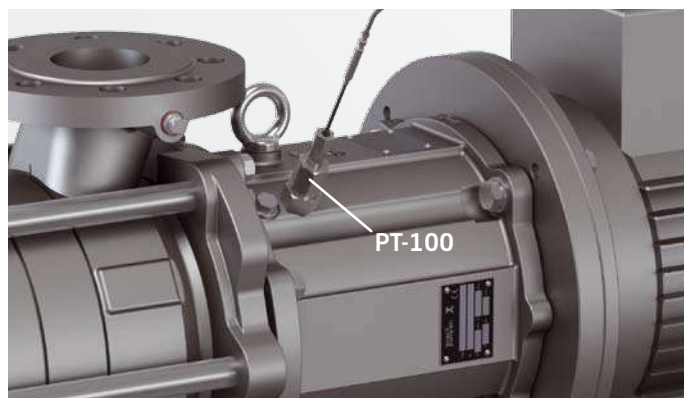


Proven and with low eddy current losses

High-grade Hastelloy® separating cans come as standard with Speck. This robust material has proven its properties in daily use in many industries. The finely graduated coupling and separating can diameters allow optimum design with minimum eddy current losses.

Safety with temperature monitoring

If required (e. g. in areas with potentially explosive atmospheres), with Hastelloy® separating cans, temperature sensors can be mounted into the bracket to monitor the surface temperature of the separating can.



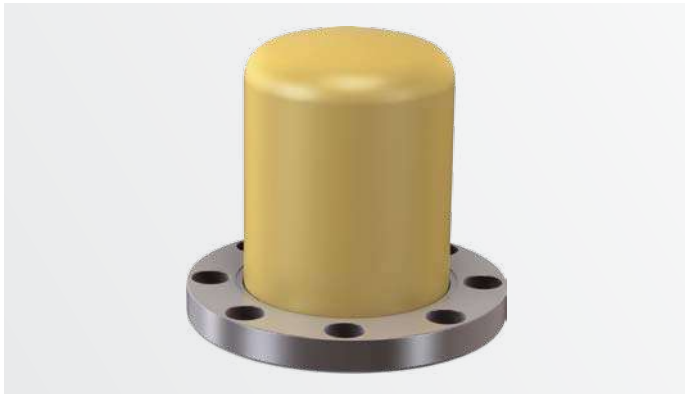
PT-100 temperature sensor (standard design)

The universal linear PT-100 temperature sensor with a detection range from -100 to +400 °C is available in three versions.

- » Standard design
- » ATEX design without SIL/IPL2
- » ATEX design with SIL/IPL2

All three versions can be optimally adjusted for length using a compression fitting. In addition, the sensor tip is held against the separating can using a spring to guarantee secure contact.

Ceramic ZrO₂MgO separating cans

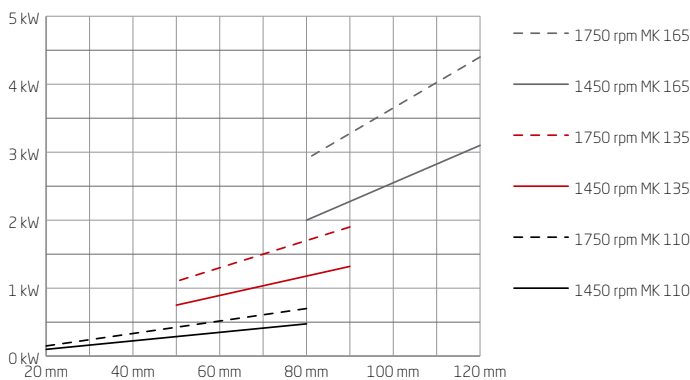


Ceramic separating cans have two advantages:

Energy savings

Magnetic fields cause eddy currents within metal separating cans, increasing the overall energy consumption of the pumps. Ceramic separating cans mean there are no eddy currents, leading to significant energy savings.

The graph below shows the additional energy consumption of a metal separating can due to eddy currents. It shows the energy consumption in relation to the length of the magnet (in 10 mm increments) and to the diameters. In the case of the largest separating can diameter, energy consumption rises to the power of three.



The additional energy consumption found in magnetic couplings with metal separating cans due to electrical eddy currents is completely eliminated by using ceramic separating cans.

No entry of heat into the medium

In metal separating cans, the electrical eddy currents described above are converted into thermal energy, thereby increasing the heat of the medium. With ATEX applications and media near vapour pressure, this can become a considerable problem. With ceramic separating cans the medium retains its temperature.

Safety through leak detection

Separating cans often break as a result of vibrations caused, for example, by damaged bearings after they have been running dry, or by vibrations in the system.

In the event of a rupture, there is a danger of the medium getting into the motor through the motor casing, which must be avoided when explosive substances are being pumped.

For your safety we can offer a leak monitoring sensor which detects any medium emerging after a rupture of the separating can and immediately switches off the pump or the system.

In addition, the sealed bracket temporarily prevent the medium from entering the environment.

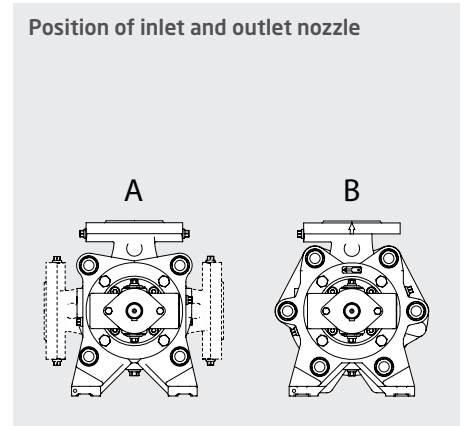
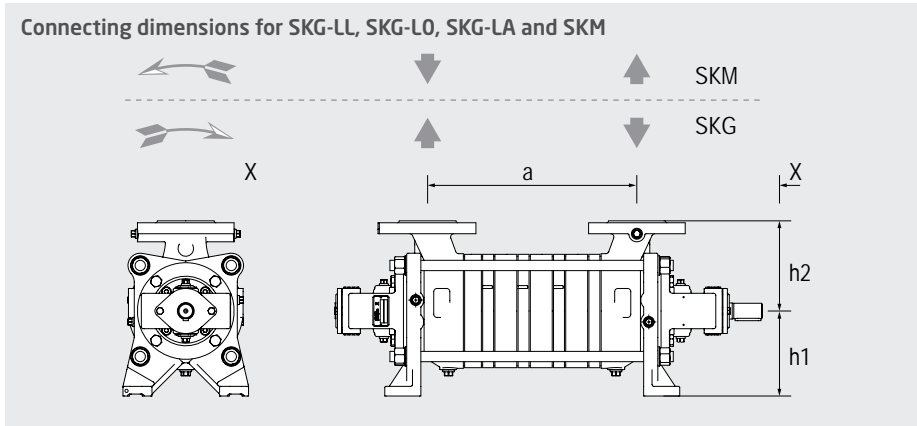
On request, we can also fit a pipe to the bracket to safely remove the pumped medium. The connector for the pipe is directly opposite the sensor.



1 Leak sensor

Main dimensions

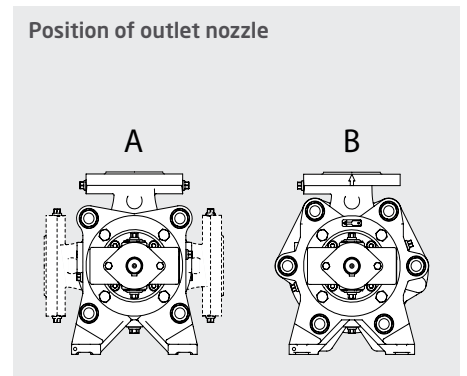
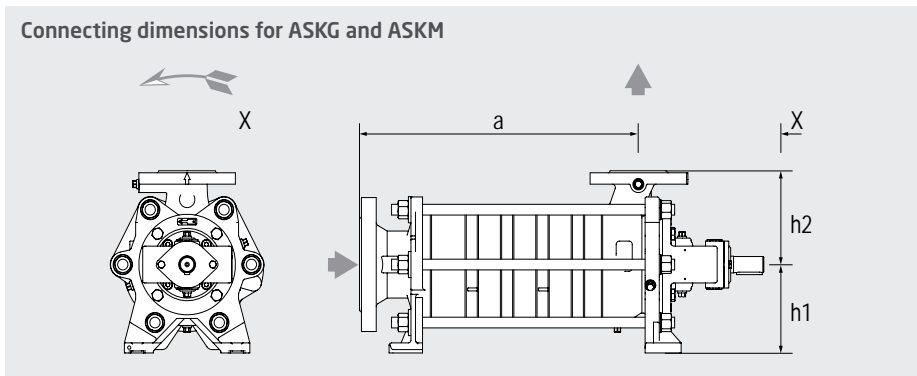
SK series



Stage no. →	Dimensions								Flanges		Position of inlet and outlet nozzle			
	1	2	3	4	5	6	7	8	h1	h2	Suction + Discharge	SKG		SKM
	a											1, 2, 3, 4	5, 6, 7, 8	1 - 8
SK...20	120	120	154	188	222	256	290	324	100	100	DN 20	A	A	A
SK...32 / 33	146	146	186	226	266	306	346	386	112	132	DN 32	A	B	B
SK...40	160	215	270	325	380	435	490	545	132	140	DN 40	A	B	B
SK...50	175	250	325	400	475	550	625	700	160	165	DN 50	A	B	B
SK...65	195	285	375	465	555	645	735	825	180	180	DN 65	A	B	B

SKG: Direction of rotation anticlockwise on request.

ASK series



Stage no. →	Dimensions								Flanges		Position of outlet nozzle		
	1	2	3	4	5	6	7	8	h1	h2	Suction	Discharge	ASKG and ASKM
	a												1 - 8
ASK...20	195	229	263	297	331	365	399	433	100	100	DN 40	DN 20	A
ASK...32 / 33	213	253	293	333	373	413	453	493	112	132	DN 65	DN 32	B
ASK...40	268	323	378	433	488	543	598	653	132	140	DN 80	DN 40	B
ASK...50	305	380	455	530	605	680	755	830	160	165	DN 100	DN 50	B
ASK...65	338	428	518	608	698	788	878	968	180	180	DN 100	DN 65	B

Flanges

Flanges in acc. with EN 1092 PN 40.

Flanges in acc. with DIN EN 1092-2, drilled in acc. with ANSI 150 lbs or 300 lbs on request.

Simple and optimal configuration software

Perfect for production engineers and plant planners – liquid pump configuration with SPAIX



Configuration software by Speck - the perfect tool for planning new plants

We make SPAIX available to our authorised customers so they can configure and pre-select centrifugal and side channel pumps.

The web-based software accesses a continuously maintained database to offer a variety of selection parameters for design, sealing systems, hydraulic systems, operating conditions and media. Users can select either German or English as the language.

Production engineers and plant planners can use SPAIX to design new plants.

After consultation with Speck, users can also check currently installed pumps for which the plant parameters have changed: for example, after medium changeover or new operating conditions.

Executed configurations can be saved as a project and exported as a PDF with one click.

When the order is received, Speck also checks the customer's pre-selections to ensure that the project requirements have been satisfied.

Step 1

Selection of pump design or respectively application

For example

- » Side channel pumps
- » Heat transfer pumps
- » High-pressure pumps
- » Stainless steel pumps

Step 2

Selection of pump series

For example ASK / SK

- » ASKM
- » ASKG
- » SKM
- » SKG
- » SKG-LO
- » SKG-LA
- » SKG-LL

Step 3

Hydraulic selection and configuration of operating parameters

For example

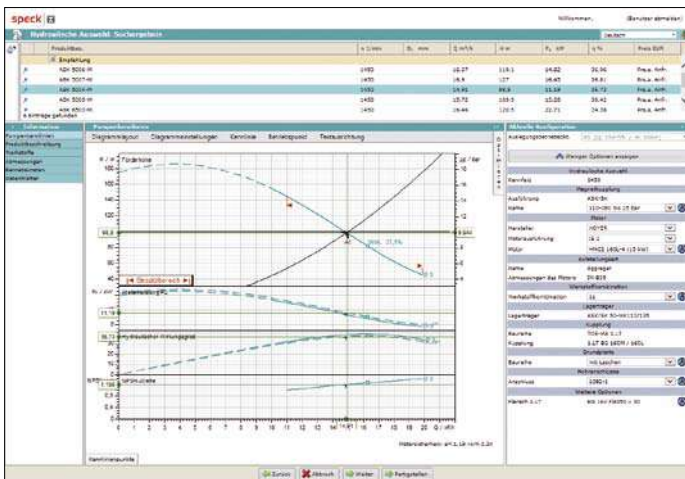
- » Operating point
- » Operating conditions
- » Medium
- » Design features
- » Seals

Step 4

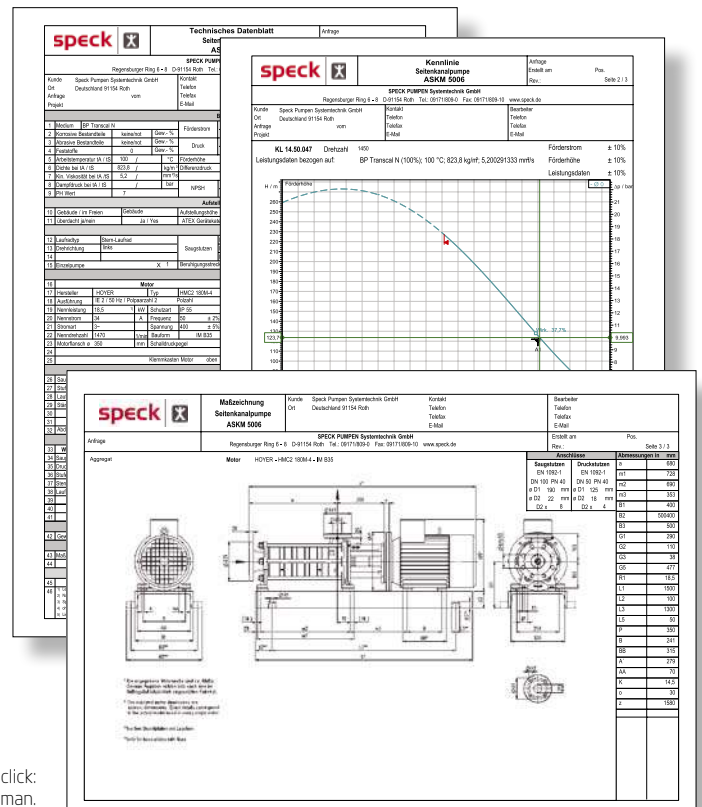
Save and output the project as PDF

Topics

- » Technical pump data sheet
- » Characteristic curves with hydraulic performance, power consumption, efficiency and NPSH values
- » Dimensional drawing of the pump with motor



Screenshot - Hydraulic configuration with all necessary parameters

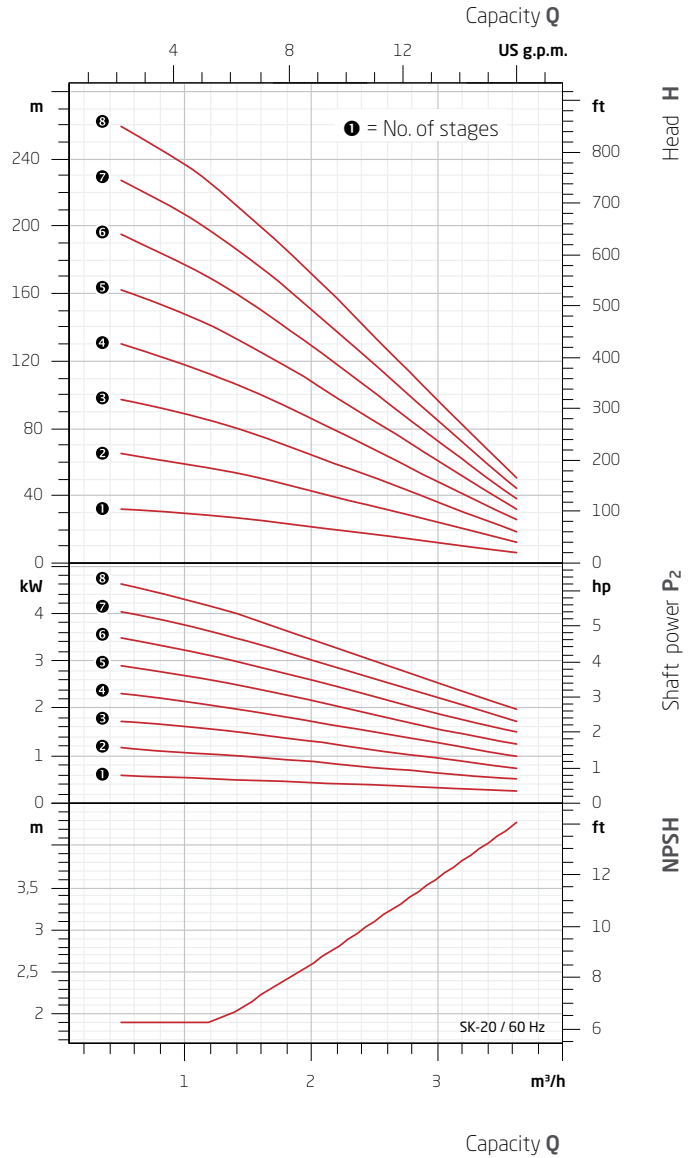
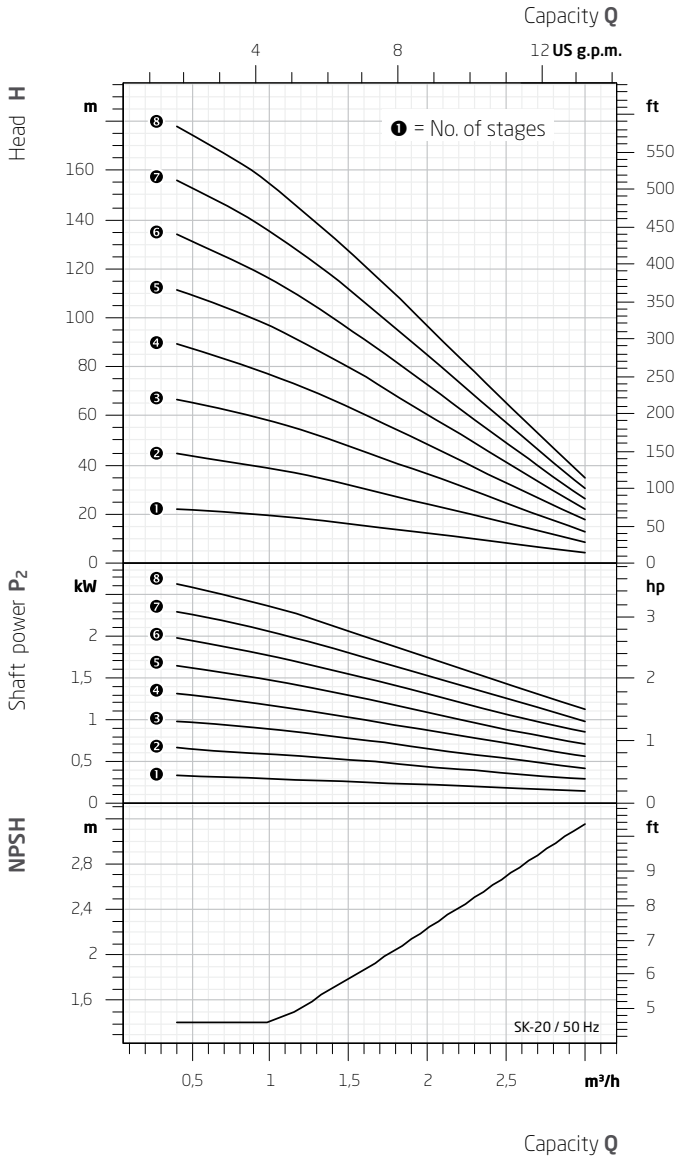


Easy documentation with one click: Data sheet, characteristic curves and dimensional drawing as PDF in English or German.

Characteristic curves SK...20

50 Hz – 1450 min⁻¹

60 Hz – 1750 min⁻¹



Binding characteristic curves only by SPAIX

These characteristic curves can be used to preselect a pump. They are deviating slightly depending on the material design. Only characteristic curves, which are specified with SPAIX configuration software can be referred to as binding.

Test conditions

The characteristic curves apply to the delivery of water with a temperature of 20 °C at nominal speed.

Tolerances

Flow rate ± 10 %, total head ± 10 %, power requirement + 10 %
 Deviating properties of the media to be pumped affect the characteristic curves.

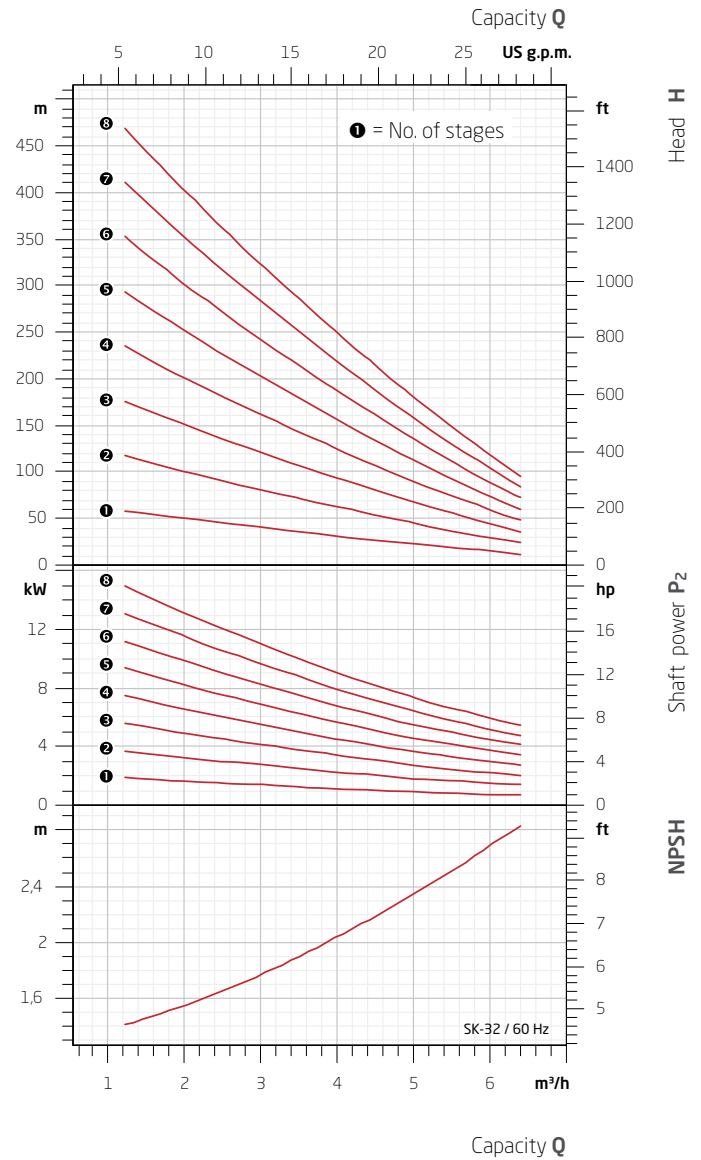
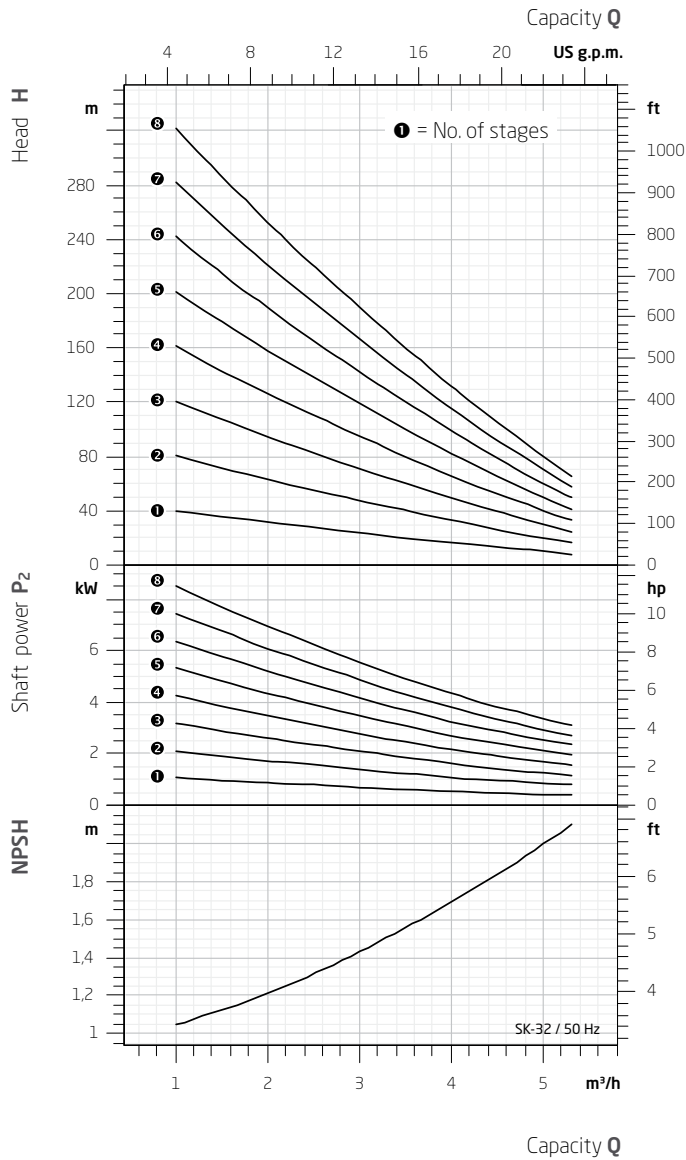
NPSH value

The NPSH value above shows the required NPSH value of the pump $NPSH_{required}$. This value has to exceed the NPSH value of the system $NPSH_{available}$ with a minimum surcharge of 0.5 m to exclude cavitation damages.
 $NPSH_{available} \geq NPSH_{required} + 0.5 \text{ m}$

Characteristic curves SK...32

50 Hz – 1450 min⁻¹

60 Hz – 1750 min⁻¹



Binding characteristic curves only by SPAIX

These characteristic curves can be used to preselect a pump. They are deviating slightly depending on the material design. Only characteristic curves, which are specified with SPAIX configuration software can be referred to as binding.

Test conditions

The characteristic curves apply to the delivery of water with a temperature of 20 °C at nominal speed.

Tolerances

Flow rate ± 10 %, total head ± 10 %, power requirement + 10 %
 Deviating properties of the media to be pumped affect the characteristic curves.

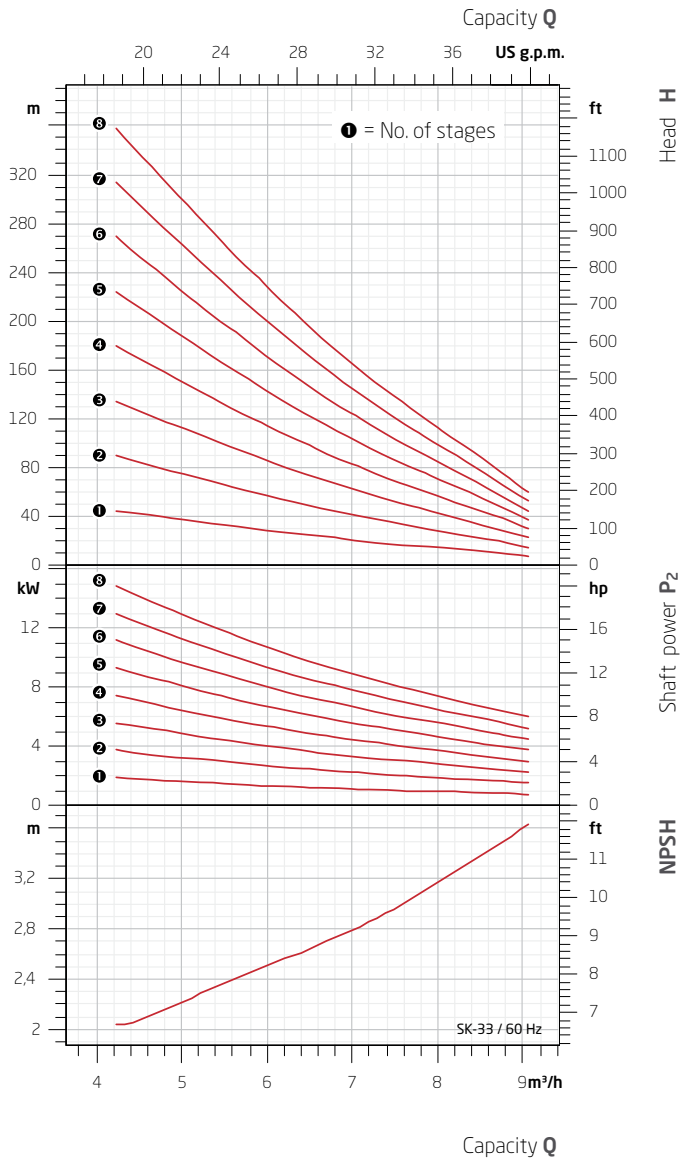
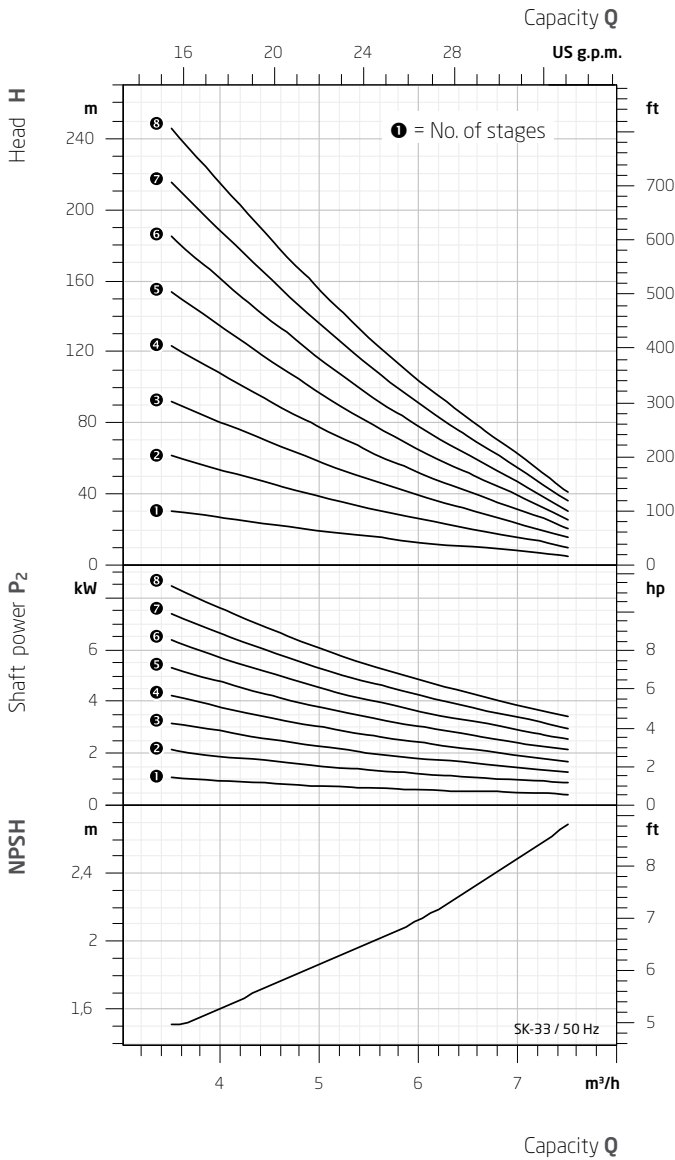
NPSH value

The NPSH value above shows the required NPSH value of the pump $NPSH_{required}$. This value has to exceed the NPSH value of the system $NPSH_{available}$ with a minimum surcharge of 0.5m to exclude cavitation damages.
 $NPSH_{available} \geq NPSH_{required} + 0.5 \text{ m}$

Characteristic curves SK...33

50 Hz – 1450 min⁻¹

60 Hz – 1750 min⁻¹



Binding characteristic curves only by SPAIX

These characteristic curves can be used to preselect a pump. They are deviating slightly depending on the material design. Only characteristic curves, which are specified with SPAIX configuration software can be referred to as binding.

Test conditions

The characteristic curves apply to the delivery of water with a temperature of 20 °C at nominal speed.

Tolerances

Flow rate ± 10 %, total head ± 10 %, power requirement + 10 %
 Deviating properties of the media to be pumped affect the characteristic curves.

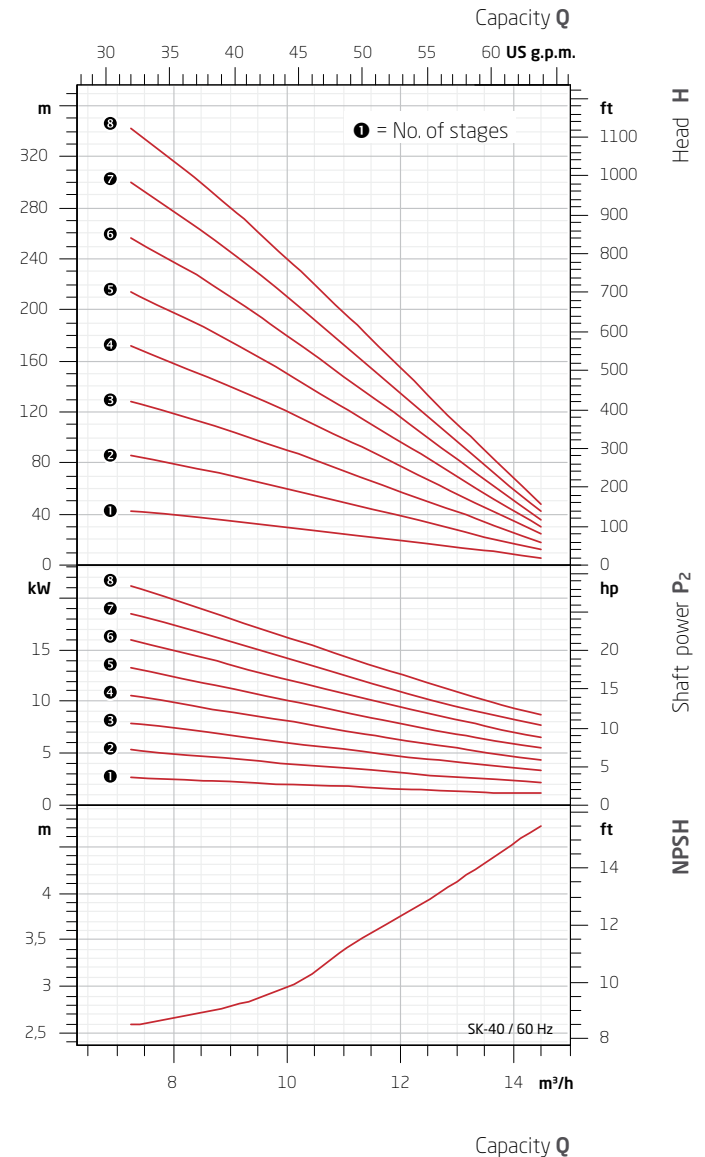
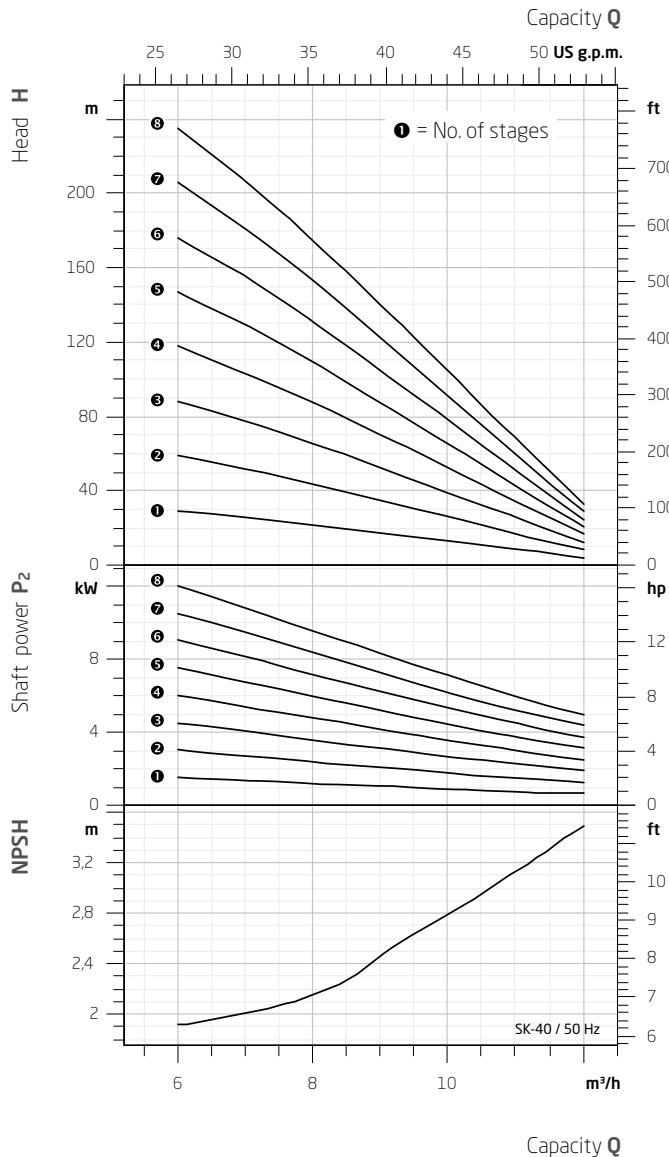
NPSH value

The NPSH value above shows the required NPSH value of the pump $NPSH_{required}$. This value has to exceed the NPSH value of the system $NPSH_{available}$ with a minimum surcharge of 0.5 m to exclude cavitation damages.
 $NPSH_{available} \geq NPSH_{required} + 0.5 \text{ m}$

Characteristic curves SK...40

50 Hz – 1450 min⁻¹

60 Hz – 1750 min⁻¹



Binding characteristic curves only by SPAIX

These characteristic curves can be used to preselect a pump. They are deviating slightly depending on the material design. Only characteristic curves, which are specified with SPAIX configuration software can be referred to as binding.

Test conditions

The characteristic curves apply to the delivery of water with a temperature of 20 °C at nominal speed.

Tolerances

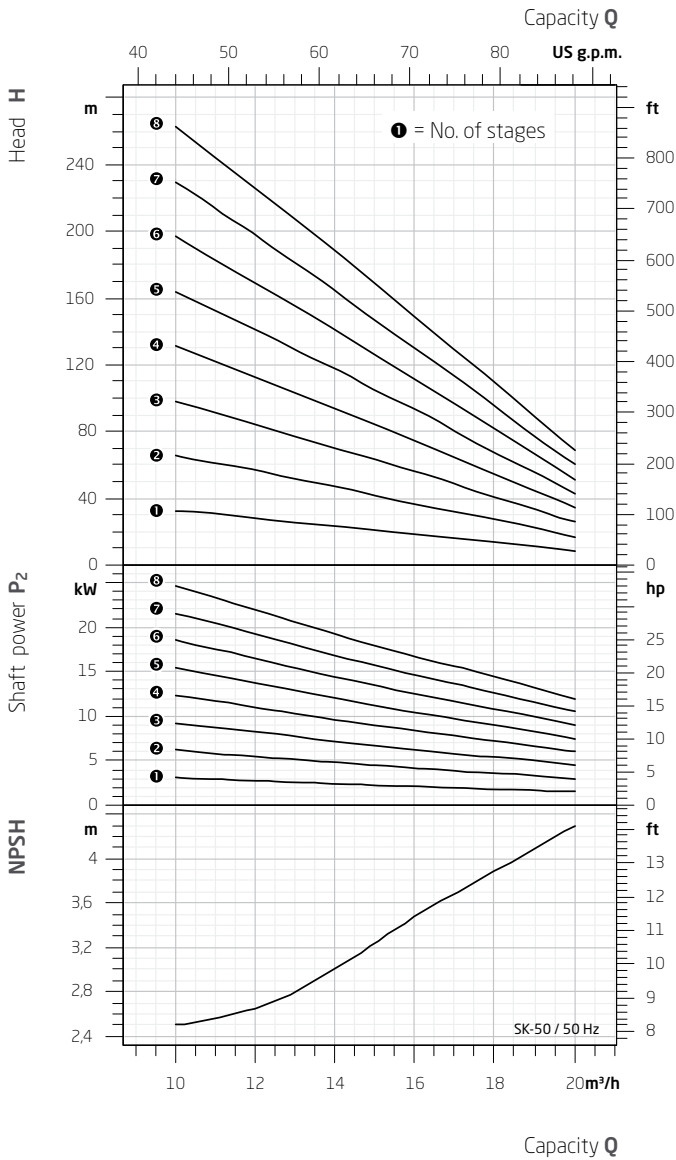
Flow rate ± 10 %, total head ± 10 %, power requirement + 10 %
 Deviating properties of the media to be pumped affect the characteristic curves.

NPSH value

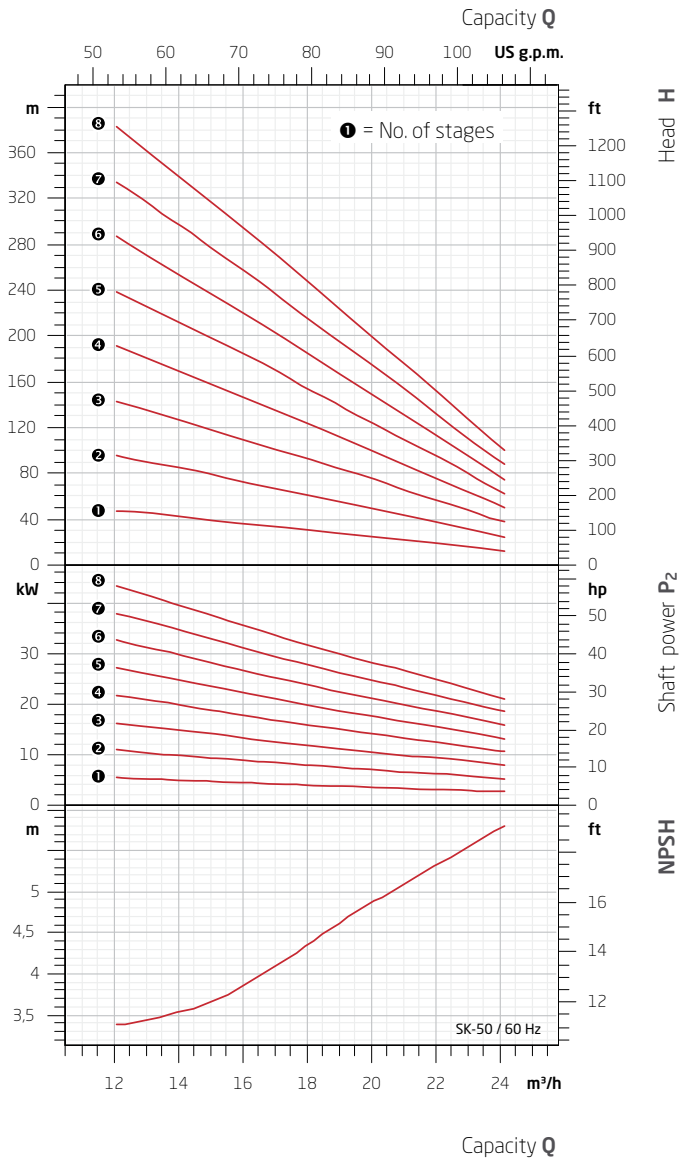
The NPSH value above shows the required NPSH value of the pump $NPSH_{required}$. This value has to exceed the NPSH value of the system $NPSH_{available}$ with a minimum surcharge of 0.5m to exclude cavitation damages.
 $NPSH_{available} \geq NPSH_{required} + 0.5 \text{ m}$

Characteristic curves SK...50

50 Hz – 1450 min⁻¹



60 Hz – 1750 min⁻¹



Binding characteristic curves only by SPAIX

These characteristic curves can be used to preselect a pump. They are deviating slightly depending on the material design. Only characteristic curves, which are specified with SPAIX configuration software can be referred to as binding.

Test conditions

The characteristic curves apply to the delivery of water with a temperature of 20 °C at nominal speed.

Tolerances

Flow rate ± 10 %, total head ± 10 %, power requirement + 10 %
 Deviating properties of the media to be pumped affect the characteristic curves.

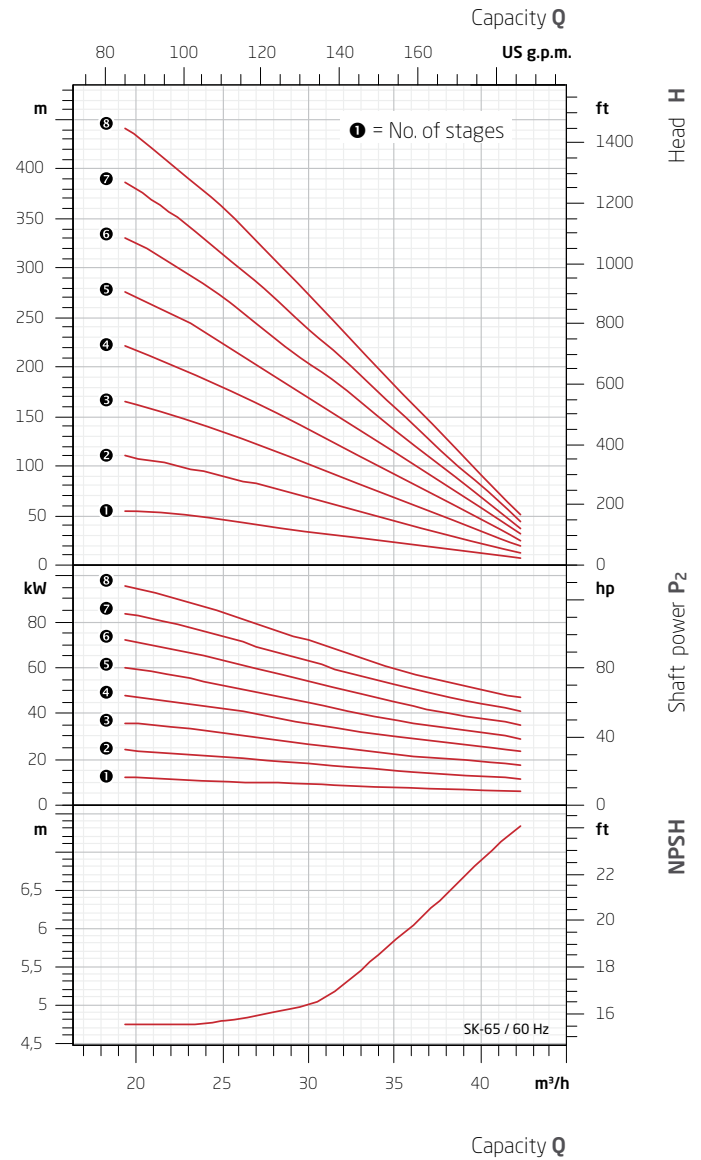
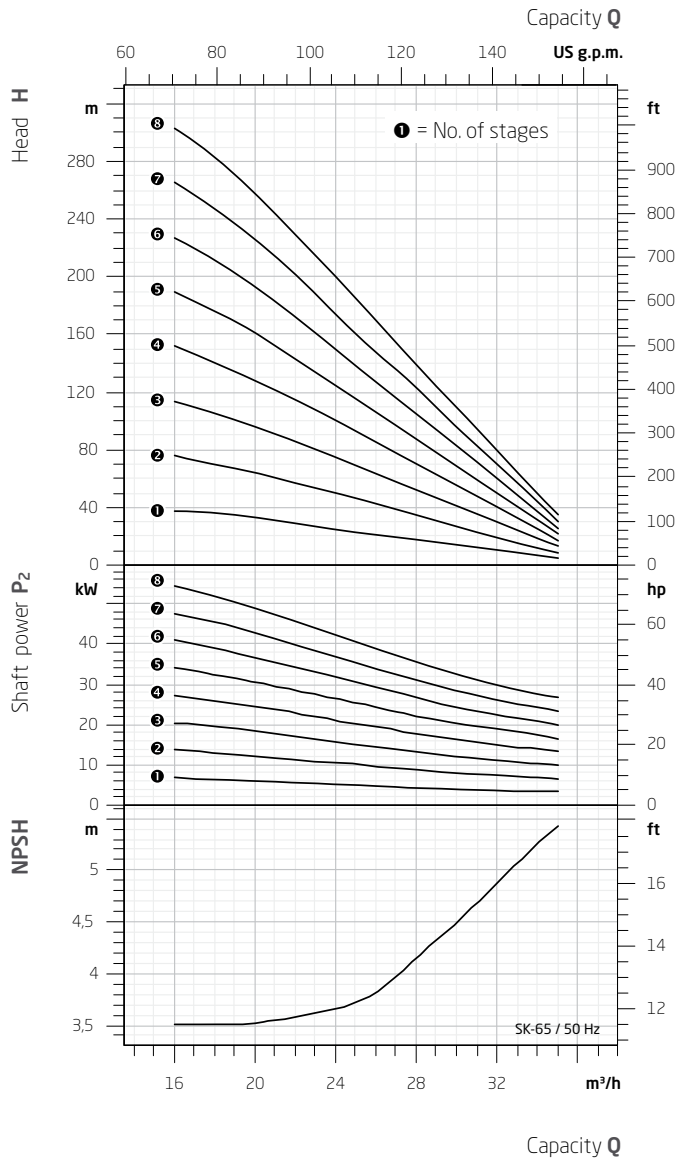
NPSH value

The NPSH value above shows the required NPSH value of the pump $NPSH_{required}$. This value has to exceed the NPSH value of the system $NPSH_{available}$ with a minimum surcharge of 0.5 m to exclude cavitation damages.
 $NPSH_{available} \geq NPSH_{required} + 0.5 \text{ m}$

Characteristic curves SK...65

50 Hz – 1450 min⁻¹

60 Hz – 1750 min⁻¹



Binding characteristic curves only by SPAIX

These characteristic curves can be used to preselect a pump. They are deviating slightly depending on the material design. Only characteristic curves, which are specified with SPAIX configuration software can be referred to as binding.

Test conditions

The characteristic curves apply to the delivery of water with a temperature of 20 °C at nominal speed.

Tolerances

Flow rate ± 10 %, total head ± 10 %, power requirement + 10 %
 Deviating properties of the media to be pumped affect the characteristic curves.

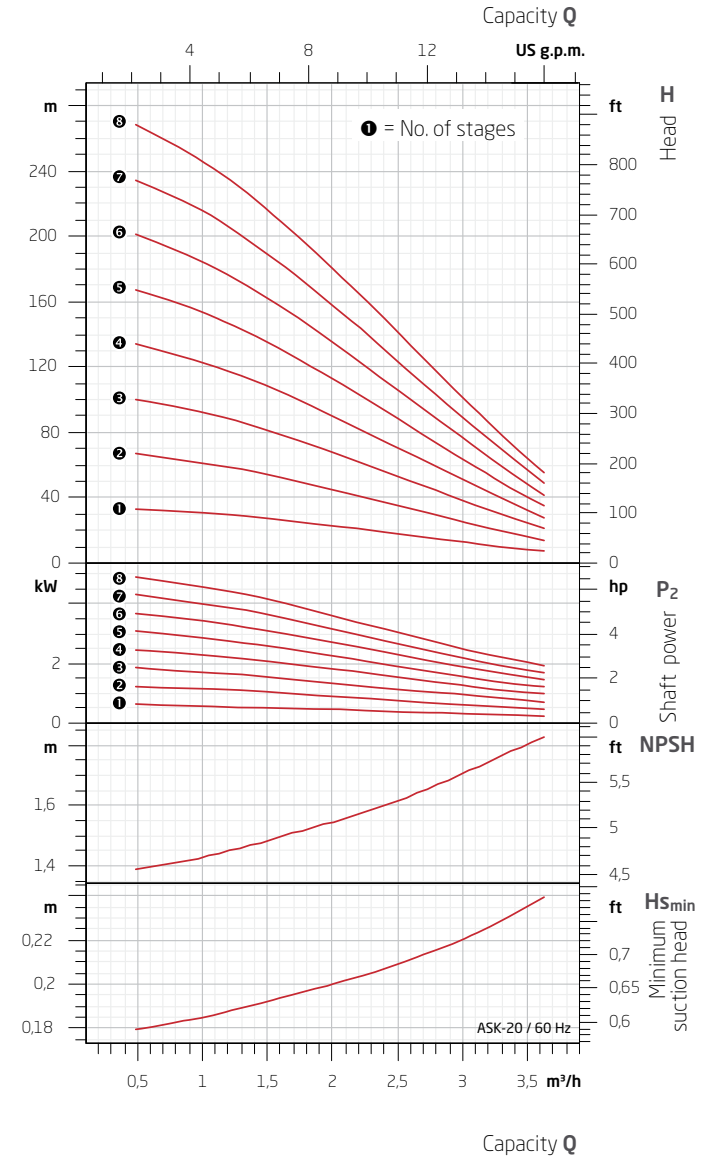
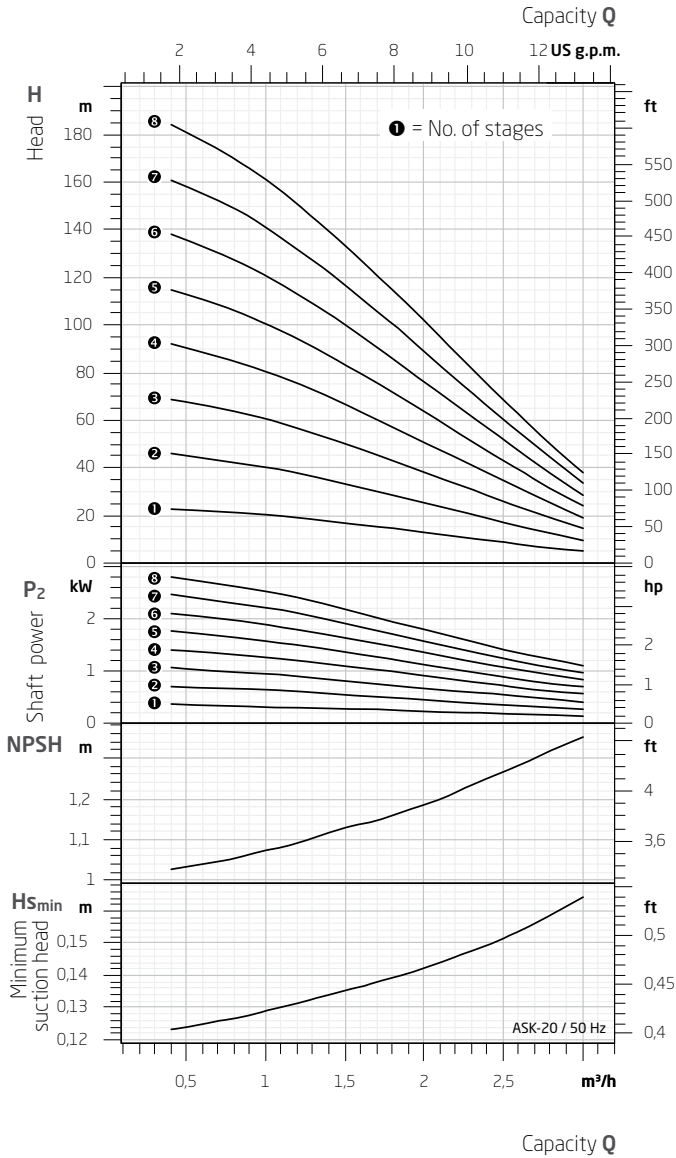
NPSH value

The NPSH value above shows the required NPSH value of the pump $NPSH_{required}$. This value has to exceed the NPSH value of the system $NPSH_{available}$ with a minimum surcharge of 0.5m to exclude cavitation damages.
 $NPSH_{available} \geq NPSH_{required} + 0.5 \text{ m}$

Characteristic curves ASK...20

50 Hz – 1450 min⁻¹

60 Hz – 1750 min⁻¹



Binding characteristic curves only by SPAIX

These characteristic curves can be used to preselect a pump. They are deviating slightly depending on the material design. Only characteristic curves, which are specified with SPAIX configuration software can be referred to as binding.

Test conditions

The characteristic curves apply to the delivery of water with a temperature of 20 °C at nominal speed.

Tolerances

Flow rate ± 10 %, total head ± 10 %, power requirement + 10 %
 Deviating properties of the media to be pumped affect the characteristic curves.

NPSH value

The NPSH value above shows the required NPSH value of the pump $NPSH_{required}$. This value has to exceed the NPSH value of the system $NPSH_{available}$ with a minimum surcharge of 0.5 m to exclude cavitation damages.
 $NPSH_{available} \geq NPSH_{required} + 0.5 \text{ m}$

Minimum suction head

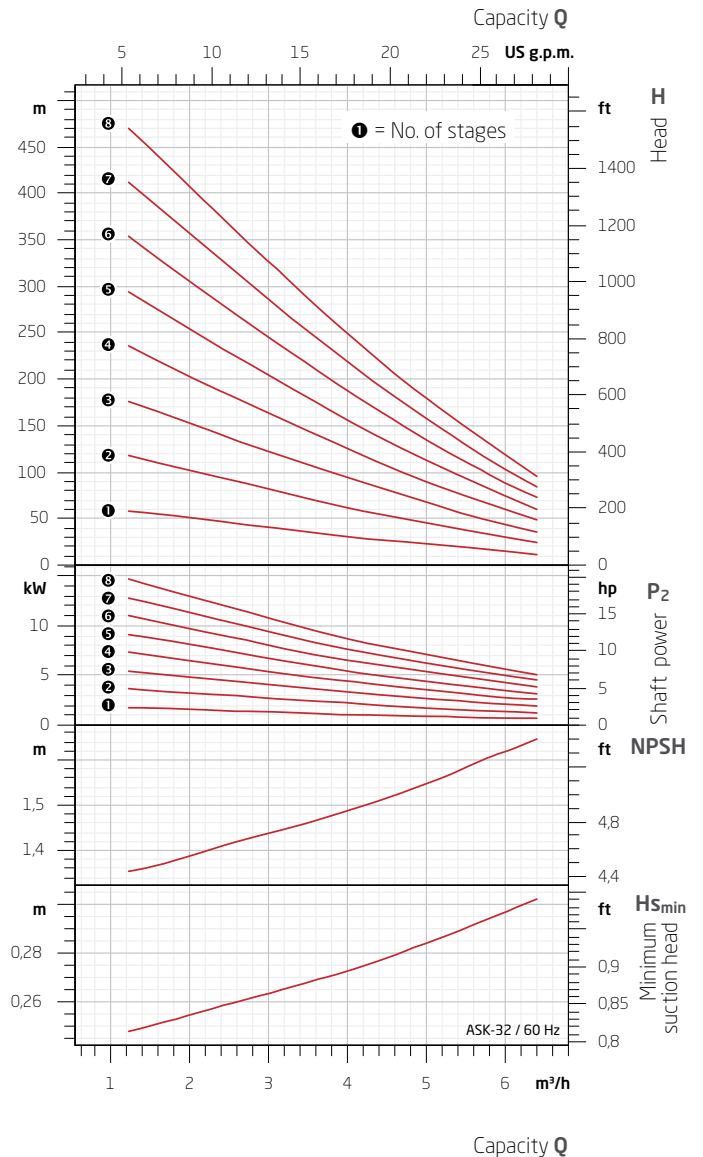
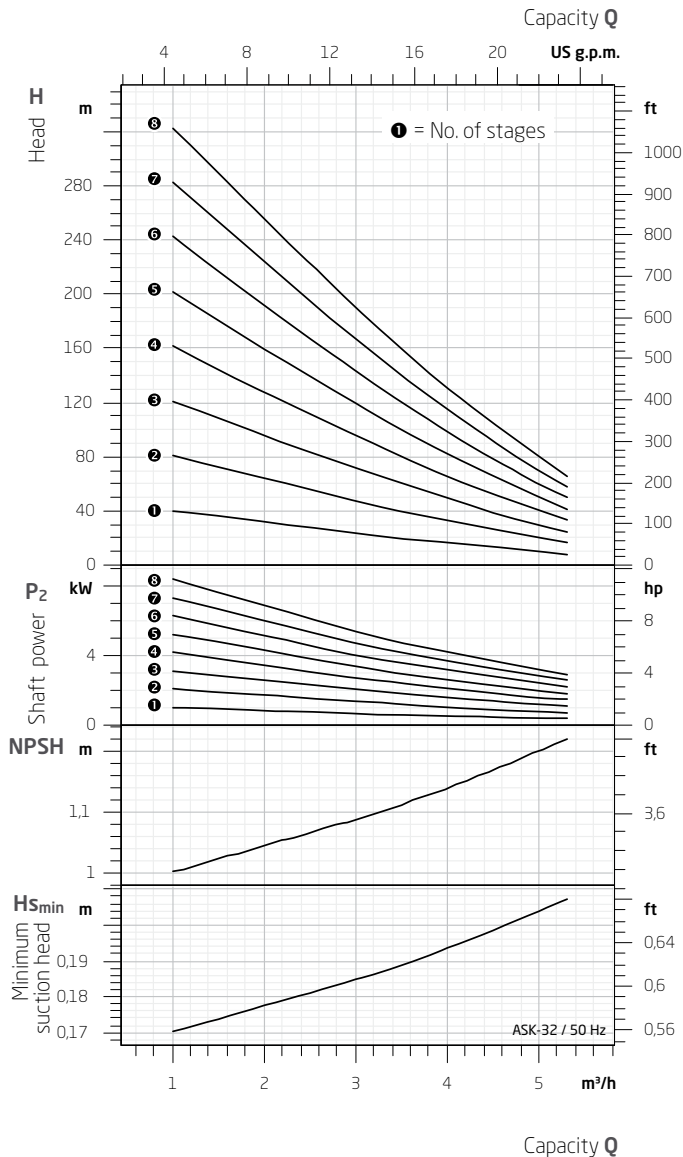
The intake pressure ($H_{s_{min}}$) above is valid for closed systems with boiling liquids and short feed lines.
 $NPSH_{required} \geq NPSH_{available} \geq H_{s_{min}}$ may cause a pressure drop and excessive vibrations.

A drop in the pump performance is caused by the delivery of gas shares at temperatures over the boiling point.
 $NPSH_{available} > H_{s_{min}}$.

Characteristic curves ASK...32

50 Hz – 1450 min⁻¹

60 Hz – 1750 min⁻¹



Binding characteristic curves only by SPAIX

These characteristic curves can be used to preselect a pump. They are deviating slightly depending on the material design. Only characteristic curves, which are specified with SPAIX configuration software can be referred to as binding.

Test conditions

The characteristic curves apply to the delivery of water with a temperature of 20 °C at nominal speed.

Tolerances

Flow rate ± 10 %, total head ± 10 %, power requirement + 10 %
 Deviating properties of the media to be pumped affect the characteristic curves.

NPSH value

The NPSH value above shows the required NPSH value of the pump $NPSH_{required}$. This value has to exceed the NPSH value of the system $NPSH_{available}$ with a minimum surcharge of 0.5 m to exclude cavitation damages.
 $NPSH_{available} \geq NPSH_{required} + 0.5 \text{ m}$

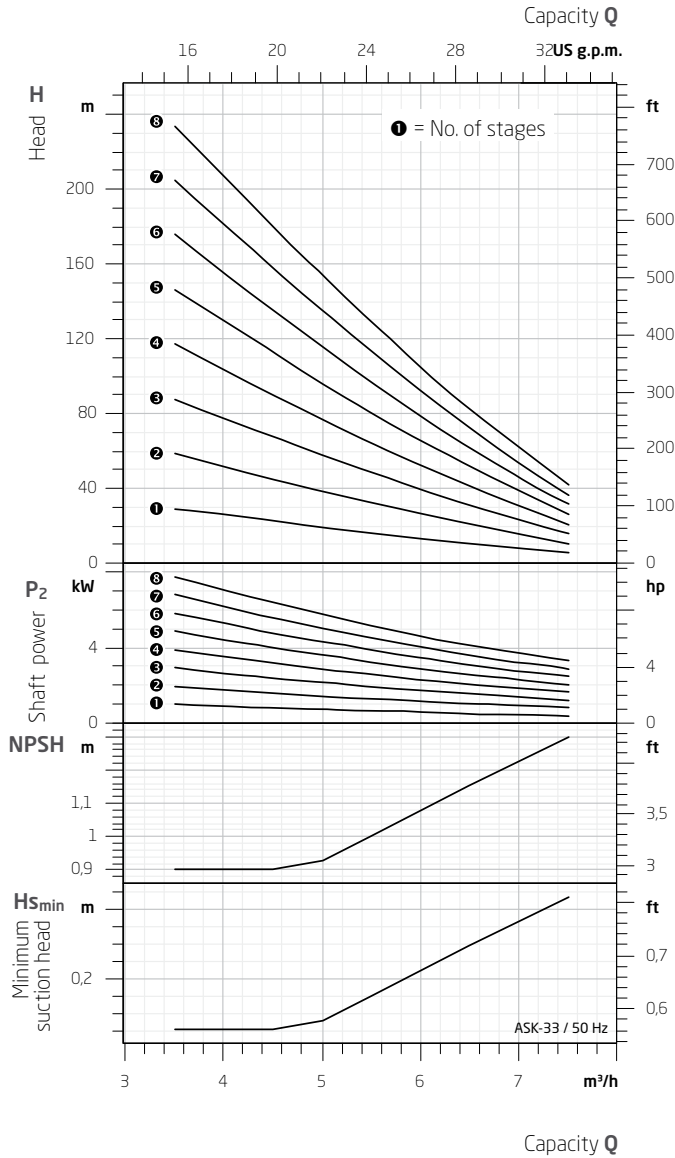
Minimum suction head

The intake pressure ($H_{s_{min}}$) above is valid for closed systems with boiling liquids and short feed lines.
 $NPSH_{available} \geq NPSH_{required} \geq H_{s_{min}}$ may cause a pressure drop and excessive vibrations.

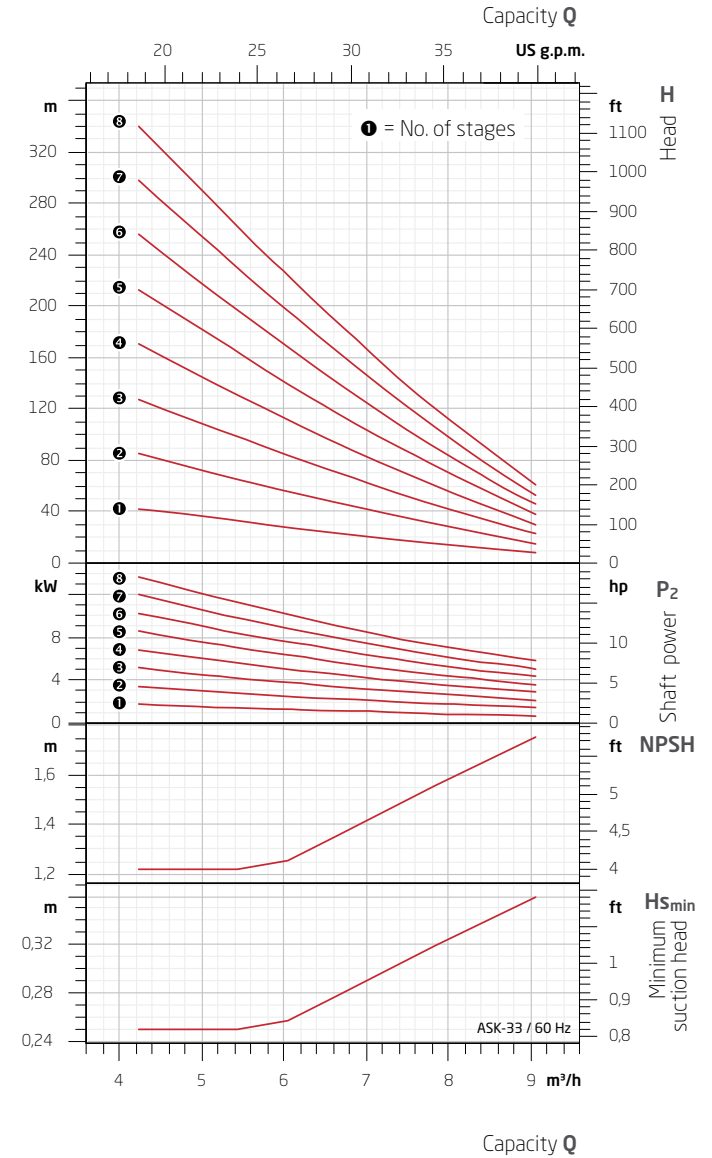
A drop in the pump performance is caused by the delivery of gas shares at temperatures over the boiling point.
 $NPSH_{available} > H_{s_{min}}$.

Characteristic curves ASK...33

50 Hz – 1450 min⁻¹



60 Hz – 1750 min⁻¹



Binding characteristic curves only by SPAIX

These characteristic curves can be used to preselect a pump. They are deviating slightly depending on the material design. Only characteristic curves, which are specified with SPAIX configuration software can be referred to as binding.

Test conditions

The characteristic curves apply to the delivery of water with a temperature of 20 °C at nominal speed.

Tolerances

Flow rate ± 10 %, total head ± 10 %, power requirement + 10 %

Deviating properties of the media to be pumped affect the characteristic curves.

NPSH value

The NPSH value above shows the required NPSH value of the pump $NPSH_{required}$. This value has to exceed the NPSH value of the system $NPSH_{available}$ with a minimum surcharge of 0.5 m to exclude cavitation damages.
 $NPSH_{available} \geq NPSH_{required} + 0.5 \text{ m}$

Minimum suction head

The intake pressure ($H_{s_{min}}$) above is valid for closed systems with boiling liquids and short feed lines.

$NPSH_{required} \geq NPSH_{available} \geq H_{s_{min}}$ may cause a pressure drop and excessive vibrations.

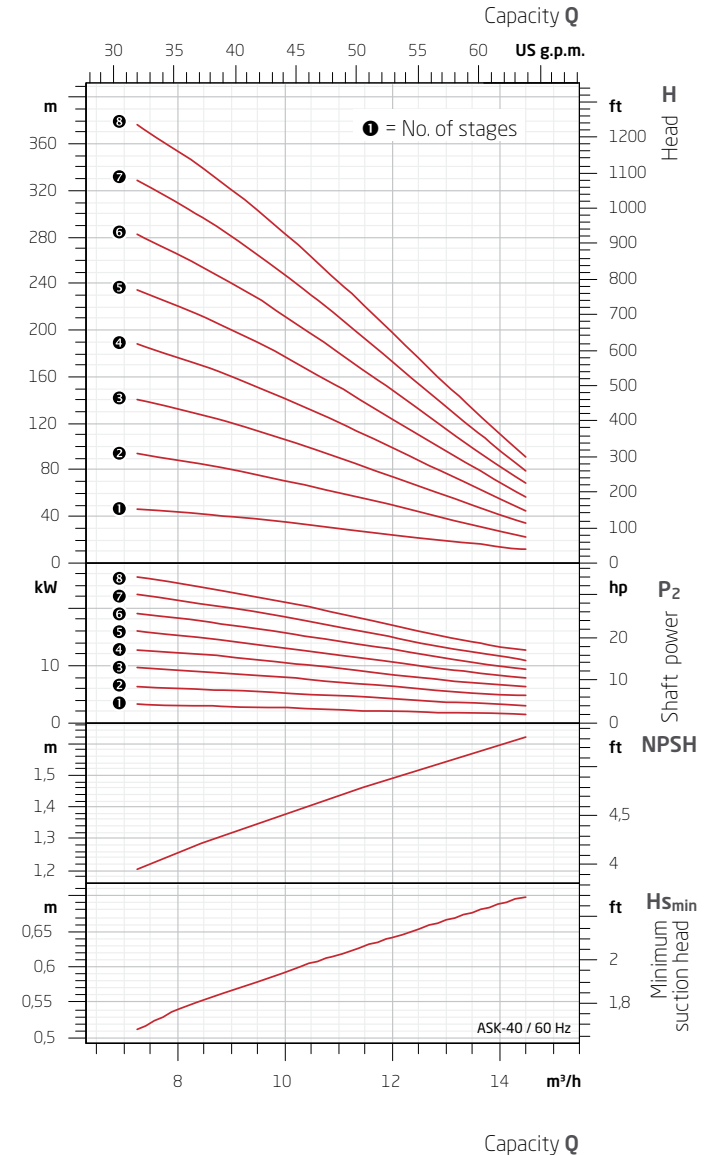
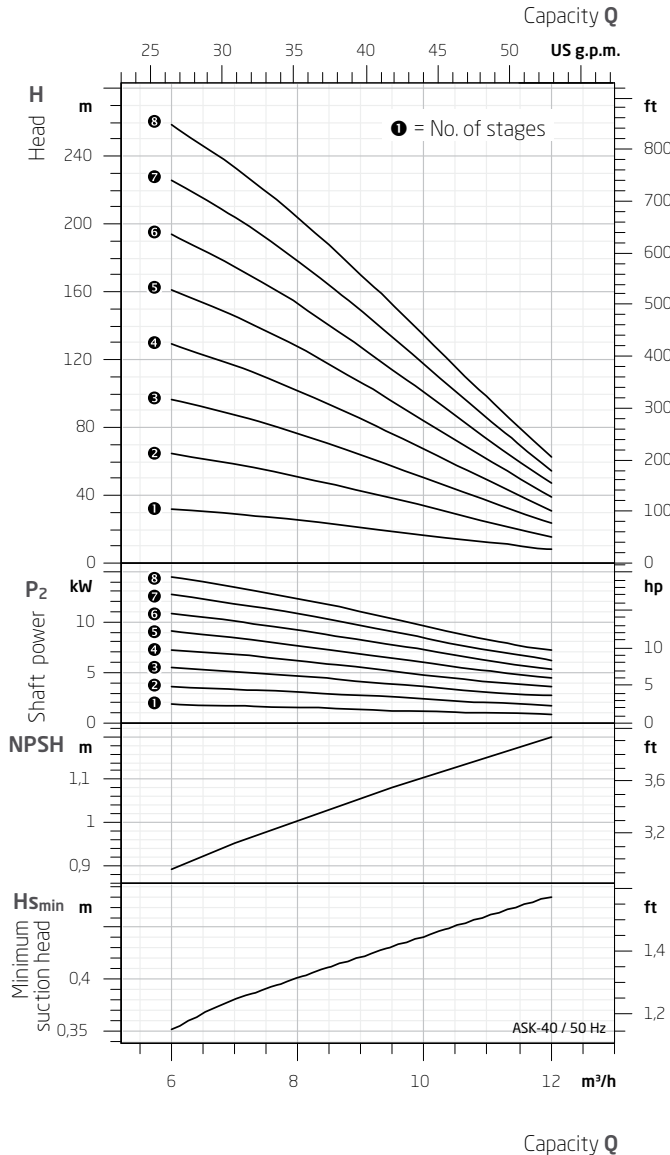
A drop in the pump performance is caused by the delivery of gas shares at temperatures over the boiling point.

$NPSH_{available} > H_{s_{min}}$.

Characteristic curves ASK...40

50 Hz – 1450 min⁻¹

60 Hz – 1750 min⁻¹



Binding characteristic curves only by SPAIX

These characteristic curves can be used to preselect a pump. They are deviating slightly depending on the material design. Only characteristic curves, which are specified with SPAIX configuration software can be referred to as binding.

Test conditions

The characteristic curves apply to the delivery of water with a temperature of 20 °C at nominal speed.

Tolerances

Flow rate ± 10 %, total head ± 10 %, power requirement + 10 %
 Deviating properties of the media to be pumped affect the characteristic curves.

NPSH value

The NPSH value above shows the required NPSH value of the pump $NPSH_{required}$. This value has to exceed the NPSH value of the system $NPSH_{available}$ with a minimum surcharge of 0.5 m to exclude cavitation damages.
 $NPSH_{available} \geq NPSH_{required} + 0.5 \text{ m}$

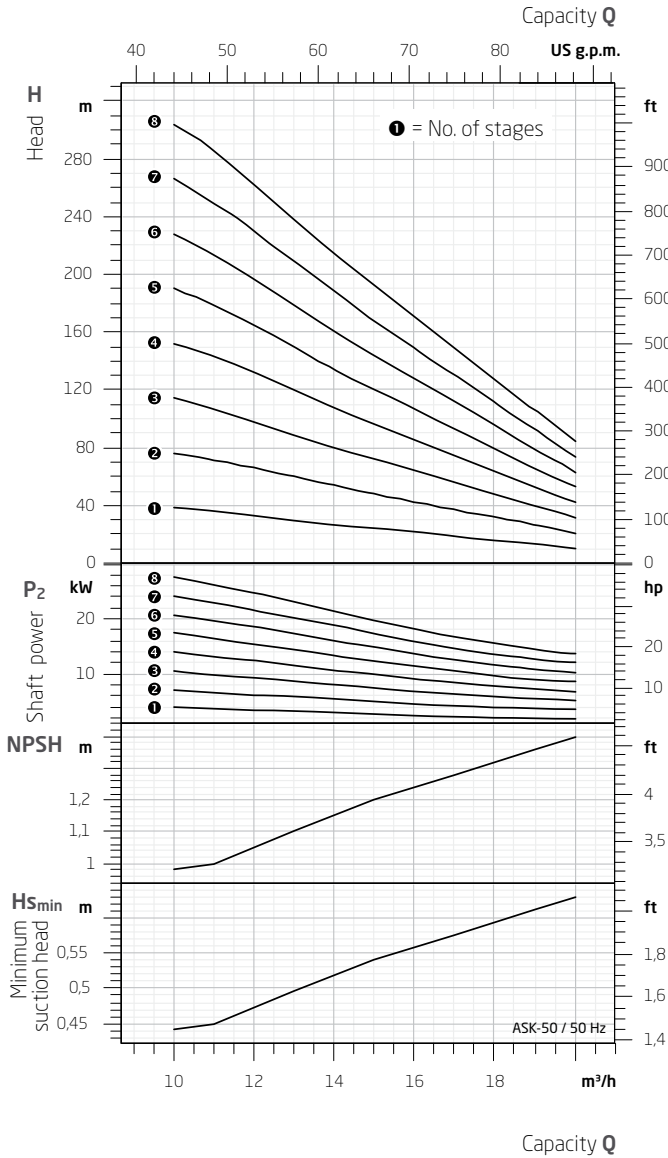
Minimum suction head

The intake pressure (H_{smin}) above is valid for closed systems with boiling liquids and short feed lines.
 $NPSH_{available} \geq NPSH_{required} \geq H_{smin}$ may cause a pressure drop and excessive vibrations.

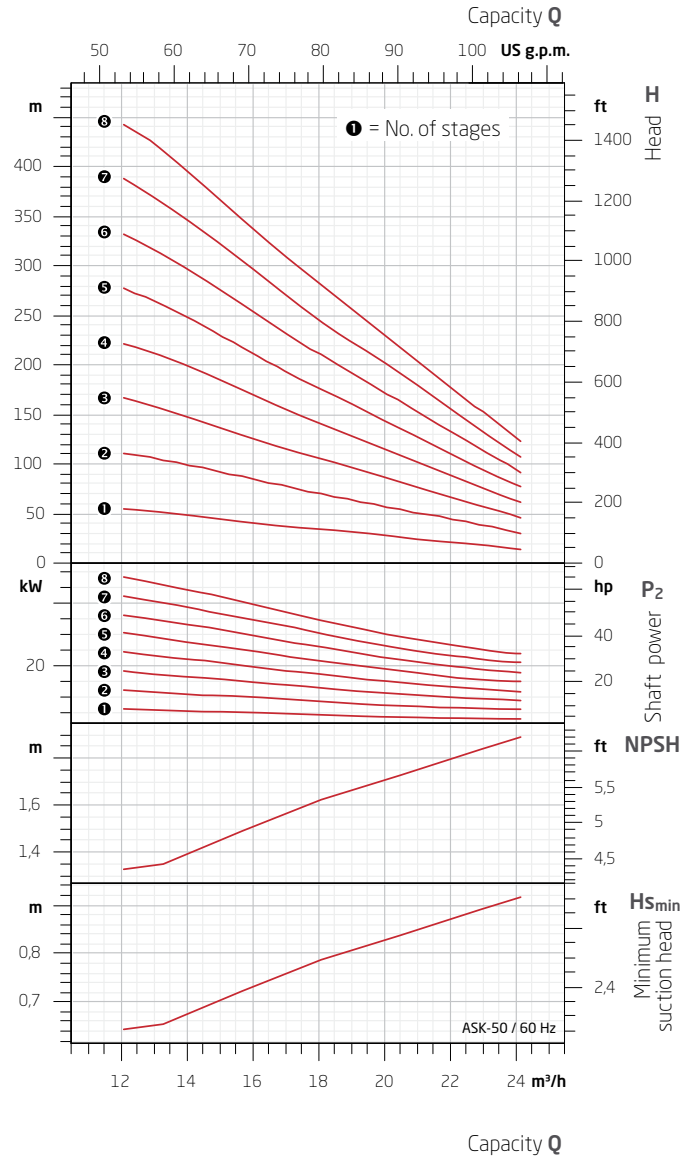
A drop in the pump performance is caused by the delivery of gas shares at temperatures over the boiling point.
 $NPSH_{available} > H_{smin}$.

Characteristic curves ASK...50

50 Hz – 1450 min⁻¹



60 Hz – 1750 min⁻¹



Binding characteristic curves only by SPAIX

These characteristic curves can be used to preselect a pump. They are deviating slightly depending on the material design. Only characteristic curves, which are specified with SPAIX configuration software can be referred to as binding.

Test conditions

The characteristic curves apply to the delivery of water with a temperature of 20 °C at nominal speed.

Tolerances

Flow rate ± 10 %, total head ± 10 %, power requirement + 10 %
 Deviating properties of the media to be pumped affect the characteristic curves.

NPSH value

The NPSH value above shows the required NPSH value of the pump $NPSH_{required}$. This value has to exceed the NPSH value of the system $NPSH_{available}$ with a minimum surcharge of 0.5 m to exclude cavitation damages.
 $NPSH_{available} \geq NPSH_{required} + 0.5 \text{ m}$

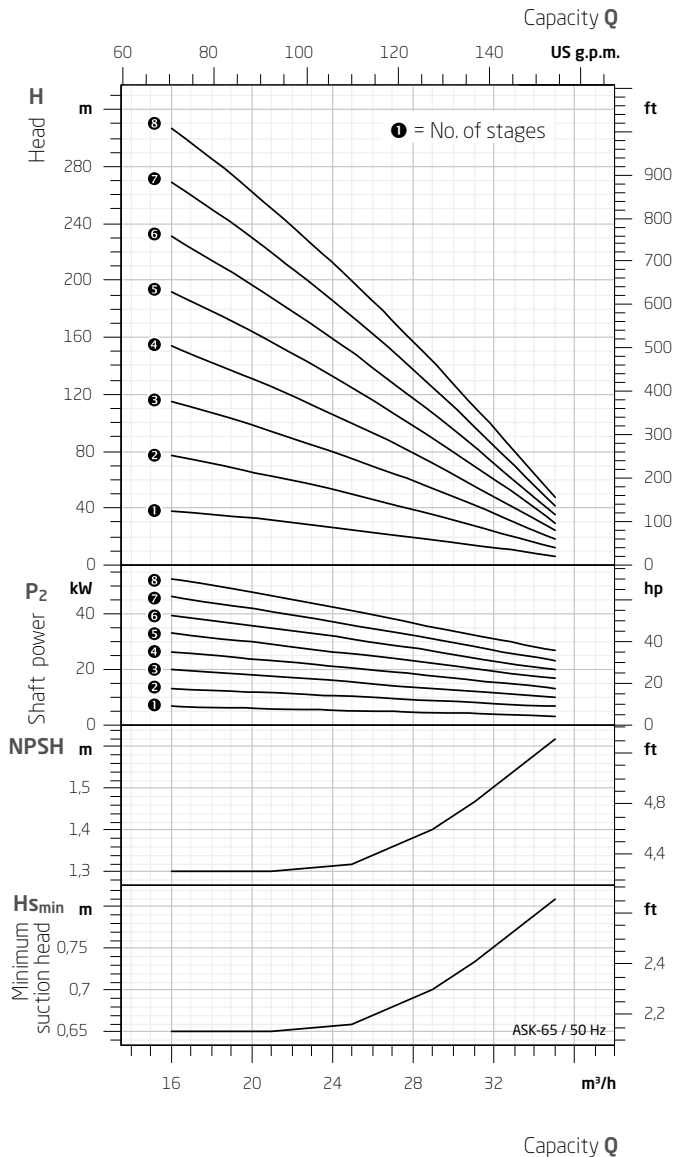
Minimum suction head

The intake pressure ($H_{s_{min}}$) above is valid for closed systems with boiling liquids and short feed lines.
 $NPSH_{required} \geq NPSH_{available} \geq H_{s_{min}}$ may cause a pressure drop and excessive vibrations.

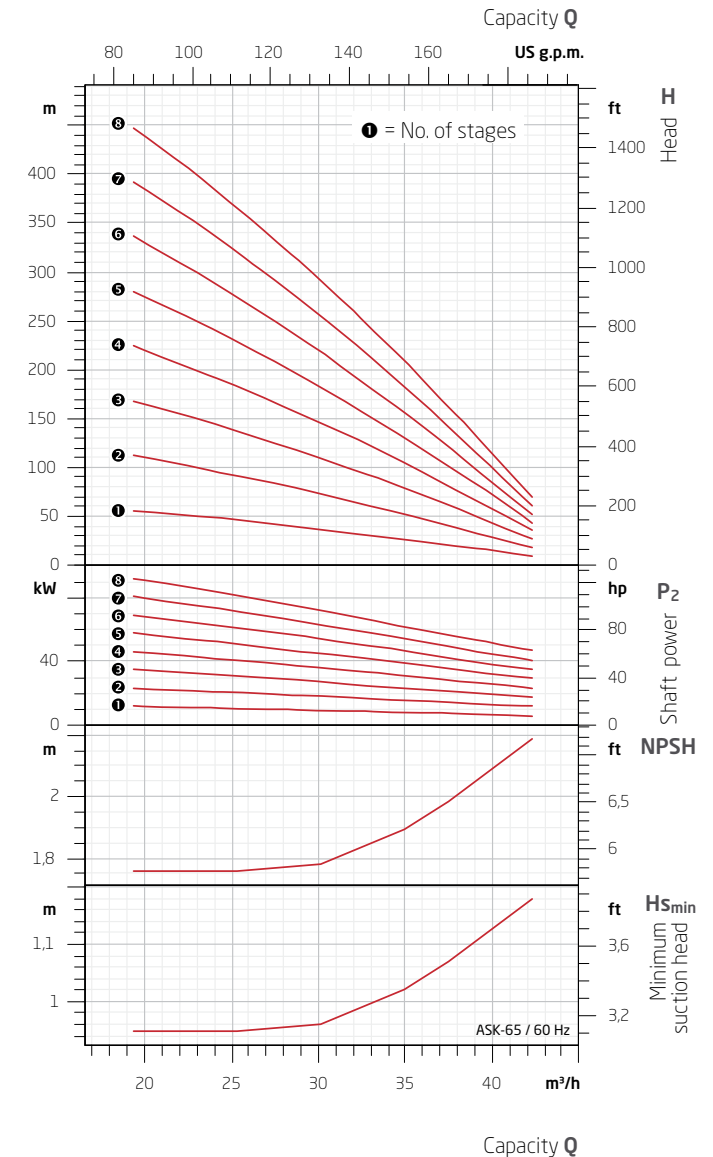
A drop in the pump performance is caused by the delivery of gas shares at temperatures over the boiling point.
 $NPSH_{available} > H_{s_{min}}$.

Characteristic curves ASK...65

50 Hz – 1450 min⁻¹



60 Hz – 1750 min⁻¹



Binding characteristic curves only by SPAIX

These characteristic curves can be used to preselect a pump. They are deviating slightly depending on the material design. Only characteristic curves, which are specified with SPAIX configuration software can be referred to as binding.

Test conditions

The characteristic curves apply to the delivery of water with a temperature of 20 °C at nominal speed.

Tolerances

Flow rate ± 10 %, total head ± 10 %, power requirement + 10 %
 Deviating properties of the media to be pumped affect the characteristic curves.

NPSH value

The NPSH value above shows the required NPSH value of the pump $NPSH_{required}$. This value has to exceed the NPSH value of the system $NPSH_{available}$ with a minimum surcharge of 0.5 m to exclude cavitation damages.
 $NPSH_{available} \geq NPSH_{required} + 0.5 \text{ m}$

Minimum suction head

The intake pressure (H_{smin}) above is valid for closed systems with boiling liquids and short feed lines.
 $NPSH_{available} \geq NPSH_{required} \geq H_{smin}$ may cause a pressure drop and excessive vibrations.

A drop in the pump performance is caused by the delivery of gas shares at temperatures over the boiling point.
 $NPSH_{available} > H_{smin}$.

Representations

- Produktion / Production
- Vertrieb / Sales
- Service / Service

■ □ ○ Speck Pumpen Walter Speck GmbH & Co. KG

Speck Pumpen Systemtechnik GmbH
Speck Pumpen Vakuumentchnik GmbH

Regensburger Ring 6 - 8, 91154 Roth
 T: +49 9171 809 0
 F: +49 9171 809 10
 info@speck.de
 www.speck.de

■ **Speck Office Nord Ingenieure Willy Wandrach GmbH**
 Flurstraße 105
 22549 Hamburg
 T: +49 40 398 624 0
 F: +49 40 398 624 28
 info@speck-nord.de
 www.speck-nord.de

■ **Speck Office Mitte**
 Grottrian-Steinweg-Str. 1c
 38112 Braunschweig
 T: +49 531 23 000 90
 info@speck-mitte.de
 www.speck-mitte.de

■ **Speck Office West**
 Robert-Koch-Straße 22
 40764 Langenfeld
 T: +49 2173 914 560
 info@speck-west.de
 www.speck-west.de

■ **Speck Office Ost**
 Dahlemer Str. 7a
 04889 Belgern-Schildau
 T: +49 34221 557 812
 info@speck-ost.de
 www.speck-ost.de

■ **Speck Office Südwest**
 Frankenstr. 9
 67227 Frankenthal
 T: +49 6233 354 80 57
 info@speck-suedwest.de
 www.speck-suedwest.de

○ **IVT-Pumpen GmbH**
 Zum Wischfeld 1 A
 31749 Auetal
 T: +49 5752 929 597
 F: +49 5752 929 599
 info@ivt-pumpen.de
 www.ivt-pumpen.de

○ **FSE Fluid Systems Erfurt**
 Poeler Weg 6
 99085 Erfurt
 T: +49 361 550 715 0
 F: +49 361 550 715 19
 info@fluidsystems.org
 www.fluidsystems.org

○ **Vacuum pumps Arpuma GmbH**
 Ottostrasse 10
 50170 Kerpen
 T: +49 2273 953 300 0
 F: +49 2273 953 300 20
 info@arpuma.de
 www.arpuma.de

International

A Austria

■ **Tuma Pumpensysteme GmbH**
 Eitnergasse 12
 1230 Wien
 T: +43 191 493 40
 F: +43 191 414 46
 contact@tumpumpen.at
 www.tumpumpen.at

AUS Australia

■ **Speck Pumpen Subsidiary**
 Speck Industries Pty Ltd.
 Unit 2
 6 Glory Road
 Gnarang WA 6077
 T: 1300 207 380
 T: +61 8 6201 1286
 sales@speckaustralia.com
 www.speckaustralia.com

B Belgium

Heat transfer pumps / Pompes pour fluid thermique
 ■ **FLOWMOTION BVBA**
 Mergelweg 3
 1730 Asse
 T: +32 2 309 67 13
 F: +32 2 309 69 13
 info@flowmotion.be
 www.flowmotion.be

■ **SPECK - Pompen Belgie N.V.**
 Bierweg 24
 9880 Aalter
 T: +32 937 530 39
 F: +32 932 500 17
 info@speckpompen.be
 www.speckpompen.be

BG Bulgaria

■ **EVROTECH OOD**
 54 A, Manastirska Str.
 1111 Sofia
 T: +359 2 971 32 73
 F: +359 2 971 22 88
 office@evrotech.com
 www.evrotech.com

CH Switzerland

■ **Speck Pumpen Subsidiary**
 Speck Pumpen Industrie GmbH
 Bürglenweg 4
 8854 Galggenen
 T: +41 554 425 094
 F: +41 554 425 094
 info@speckswitzerland.com
 www.speckswitzerland.com

■ **HänyTec AG**
 Pumpen-Prozesse-Service
 Lättfeld 2
 6142 Gettnau
 T: +41 62 544 33 00
 F: +41 62 544 33 10
 contact@haenytec.ch
 www.haenytec.ch

■ **MEYER ARMATUREN PUMPEN GmbH**
 Rigackerstrasse 19
 5610 Wohlen
 T: +41 56 622 77 33
 F: +41 56 622 77 60
 info@meyer-armaturen.ch
 www.meyer-armaturen.ch

CN China

■ **Speck Pumpen Subsidiary**
 ■ **jiashan SPECK PUMPS Systemtechnik Ltd.**
 No. 57, Hong Qiao Rd., Huimin Street
 No. 4 Economical Developing Zone,
 314100 Jiashan Xian, Zhejiang Province
 T: +86 573 847 312 98
 F: +86 573 847 312 88
 steveche@speck-pumps.cn
 www.speck-pumps.cn

CZ Czech Republic

■ **Sigmat spol s.r.o.**
 Kosmonautu c.p. 1103/6a
 77200 Olomouc
 T: +420 585 231 070
 F: +420 585 227 072
 sigmet@sigmet.cz
 www.sigmet.cz

DK Denmark

■ **Pumpegruppen a/s**
 Lundtoftegårdsvej 95
 2800 Lyngby
 T: +45 459 371 00
 F: +45 459 347 55
 info@pumpegruppen.dk
 www.pumpegruppen.dk

E Spain

■ **Speck Pumpen Subsidiary**
 ■ **SPECK BOMBAS INDUSTRIALES, S.L.U.**
 Trafalgar, 53 despacho 6
 Centro de Negocios CNAF
 46023 Valencia
 T: +34 963 811 094
 F: +34 963 811 096
 M: +34 618 376 241
 ventas@speckbombas.es
 www.speck.de

F France

■ **Speck Pumpen Subsidiary**
 Speck Pompes Industries S.A.
 Z.I. Parc d'Activités du Ried
 4, rue de l'Énergie
 B.P. 227
 67727 Hoerdt Cedex
 T: +33 3 88 68 26 60
 F: +33 3 88 68 16 86
 info@speckpi.fr

GB Great Britain

■ **Speck ABC UK Ltd**
 AreenA House
 Moston Road,
 Elworth, Sandbach
 Cheshire CW11 3HL
 T: +44 844 764 063 2
 F: +44 844 764 063 4
 admin@speck-abc.com
 www.speck-abc.com

GR Greece

■ **SPECK Hellas**
 Salaminos St. 54
 17676 Kallithea
 T: +30 210 956 500 6
 F: +30 210 957 747 3
 grecha@speckhellas.gr

I Italy

■ **Centrifugal pumps / Pompe centrifughe**
 Speck Industries S.r.l.
 Via Garibaldi, 53
 20010 Canegrate (MI)
 T: +39 0331 405 805
 M: +39 339 16 59 440
 info@speckindustries.it
 www.speckindustries.it

Vacuum pumps / Pompe per vuoto
 ■ **Rio Nanta S.r.l.**
 Via Mauro Macchi, 42
 20124 Milano
 T: +39 028 940 642 1
 F: +39 028 323 913
 M: +39 339 658 781 6
 rionanta@rionanta.it
 www.rionanta.it

IL Israel

Small pumps / heat transfer pumps
 ■ **Ringel Brothers (1973) Ltd.**
 134 Hertzl St.
 P.O. Box 5148
 Tel-Aviv 66555
 T: +972 368 255 05
 F: +972 368 220 41
 M: +972 544 623 095
 mringel@ringel-bros.co.il
 www.ringel-bros.co.il

IND India

■ **Flux Pumps India Pvt. Ltd.**
 427/A-2, Gultekdi Industrial Estate
 Near Prabhat Printing Press
 Pune - 411 047, Maharashtra
 T: +91 020 2427 1023
 F: +91 020 2427 0689
 M: +91 98504 03114
 kiran.kadam@flux-pumps.in
 www.flux-pumps.in

J Japan

■ **Rodateq, Inc.**
 Suite 301 Oka Bldg.
 2 - 1 - 16 Kiyomachibori, Nishiku
 550 - 0003 Osaka
 T: +81 664 441 940
 F: +81 664 449 050
 info@rodeteq.co.jp
 www.rodeteq.co.jp

■ **Rodateq, Inc.**
 Tokyo Branch
 No. 408, 3 - 22 - 12
 Highashi Ikebukuro, Toshima - ku
 170-0013 Tokyo
 T: +81 359 798 818
 F: +81 359 798 817
 roda-t@yo.rim.or.jp
 www.rodeteq.co.jp

L Luxembourg

Heat transfer pumps / Pompes pour fluid thermique
 ■ **FLOWMOTION BVBA**
 Mergelweg 3
 1730 Asse
 T: +32 2 309 67 13
 F: +32 2 309 69 13
 info@flowmotion.be
 www.flowmotion.be

MAL Malaysia

■ **Leesonmech Engineering (M) Sdn. Bhd.**
 No. 18 Jalan 18, Taman Sri Kluang,
 86000 Kluang, Johor
 T: +607 777 105 5
 F: +607 777 106 6
 sales@leesonmech.com
 www.leesonmech.com

N Norway

■ **PG Flow Solutions AS**
 P.O.Box 154, 1378 Nesbru
 Nye Vakaas Vei 14
 1395 Hvalstad
 T: +47 667 756 00
 F: +47 667 756 01
 post@pg-flowsolutions.com
 www.pg-flowsolutions.com

NL Netherlands

Centrifugal pumps / Centrifugaalpomp
 ■ **Speck Pompen Nederland B.V.**
 Businesspark 7Poort
 Stationspoort 10
 6902 KG Zevenaar
 T: +31 316 331 757
 F: +31 316 528 618
 info@speck.nl
 www.speck.nl

Vacuum pumps / Vacuümpompen
 ■ **DOVAC B.V.**
 Meer en Duin 228
 2163 HD Lisse
 T: +31 252 423 363
 F: +31 252 417 946
 info@dovac.nl
 www.dovac.nl

Heat transfer pumps / Pompes pour fluid thermique

■ **FLOWMOTION BVBA**
 Mergelweg 3
 1730 Asse
 T: +32 2 309 67 13
 F: +32 2 309 69 13
 info@flowmotion.be
 www.flowmotion.be

NZ New Zealand

■ **Speck Pumpen Subsidiary**
 Speck Industries Pty Ltd.
 Unit 2
 6 Glory Road
 Gnarang WA 6077
 T: +61 8 6201 1286
 sales@speckaustralia.com
 www.speckaustralia.com

P Portugal

■ **Ultra Controlo**
 Projectos Industriais, Lda.
 Quinta Lavi - Armazém 8
 Abrunheira
 2710 - 089 Sintra
 T: +351 219 154 350
 F: +351 219 259 002
 info@ultra-controlo.com
 www.ultra-controlo.com

PL Poland

■ **Krupinski Pompy Spółka z Ograniczona Odpowiedzialnoscia Sp.k.**
 ul. Przymarki 4A
 31-764 Krakow
 T + F: +48 126 455 684
 biuro@krupinski.krakow.pl
 www.krupinski.krakow.pl

RC Taiwan

■ **Speck Pumpen Subsidiary**
 Speck Pumps
 Technology Taiwan Ltd.
 2FL, no. 153, Sec. 2
 Datong Rd., Xizhi District
 New Taipei City
 T: +886 286 926 220
 F: +886 286 926 759
 M: +886 936 120 952
 speck886@ms32.hinet.net
 www.speck-pumps.com.tw

RCH Chile

■ **W & F Ingenieria Y Maquinas S.A.**
 Felix de Amesti 90, Piso 6
 Las Condes, Santiago
 T: +56 2 220 629 43
 F: +56 2 220 630 39
 M: +56 9 8 289 222 0
 wendler@wvf.cl
 www.wvf.cl

RI Indonesia

■ **PT Roda Rollen Indonesia**
 Kompleks Pertokoan Glodok
 Jaya No. 30
 Jl. Hayam Wuruk,
 Jakarta - Pusat
 Indonesia, 11180
 T: +6221 659 922 528
 F: +6221 380 595 9
 rudy@rodarollenindonesia.com

ROK Korea

■ **J.C. International Inc.**
 2F, Bkeum Bldg. 108,
 Yanghwa-ro, Mapo-Gu,
 121-893 Seoul
 T: +82 232 628 00
 F: +82 232 569 09
 jylee@jicint.co.kr
 www.jicint.co.kr

RO Romania

■ **S.C. Gimsid S.R.L.**
 Str. Arcului nr. 9, Arp.2
 021031 Bucuresti
 T: +40 21 2118701
 F: +40 21 2102675
 gimsid@gimsid.ro
 www.gimsid.ro

RUS Russia

■ **LLC Firm Kreoline**
 Yunosti str., 5/3
 Moscow 111395
 T: +7 495 737 321 4
 F: +7 495 769 844 0
 M: +7 495 505 198 8
 info@kreoline.ru
 www.kreoline.ru

S Sweden

■ **Hugo Tillquist AB**
 P.O.Box 1120
 16422 Kista
 T: +46 859 463 200
 F: +46 875 136 95
 info@tillquist.com
 www.tillquist.com

SK Slovakian Republic

→ Czech Republic (CZ)

SI Slovenia

■ **SILOTEH Branko Gabric s.p.**
 Zagrebška cesta 20
 2000 Maribor
 T: +38 624 614 460
 F: +38 624 614 465
 branko.gabric@amis.net
 www.slotech.si

SGP Singapore

→ Malaysia (MAL)

T Thailand

■ **Speck Pumpen Subsidiary**
 Pump Systems Flux &
 Speck Co. Ltd.
 181/4 Soi Anamai
 Srinakarin Road
 Suanluang Bangkok 10250
 T: +662 320 256 7
 F: +662 322 248 6
 thienchai@fluxspeck.com
 www.fluxspeck.com

TR Turkey

■ **Speck Pompa San. ve Tic. Ltd. Sti.**
 Girne Mah., Küçükalyi Is Merkezi
 B Blok No.12 Maltepe
 34852 Istanbul
 T: +90 216 375 750 5
 F: +90 216 375 753 3
 M: +(90) 532 293 010 4
 speck@speckpompa.com.tr
 www.speckpompa.com.tr

USA USA

■ **Speck Pumpen Subsidiary**
 Speck Industries LP
 301 Veterans Blvd
 Rutherford
 NJ 07070
 T: +1 201 569 3114
 F: +1 201 569 9607
 info@speckamerica.com
 www.speckamerica.com

ZA Rep. South Africa

■ **SPP Pumps SA (Pty) Ltd.**
 Cnr Horne St & Brine Ave
 Chloorkop Ext 23
 Kempton Park
 1619 Gauteng
 R.S.A.
 1619
 T: +27 11 393 7177
 F: +27 86 513 0255
 sales@sppumps.co.za
 www.sppumps.co.za